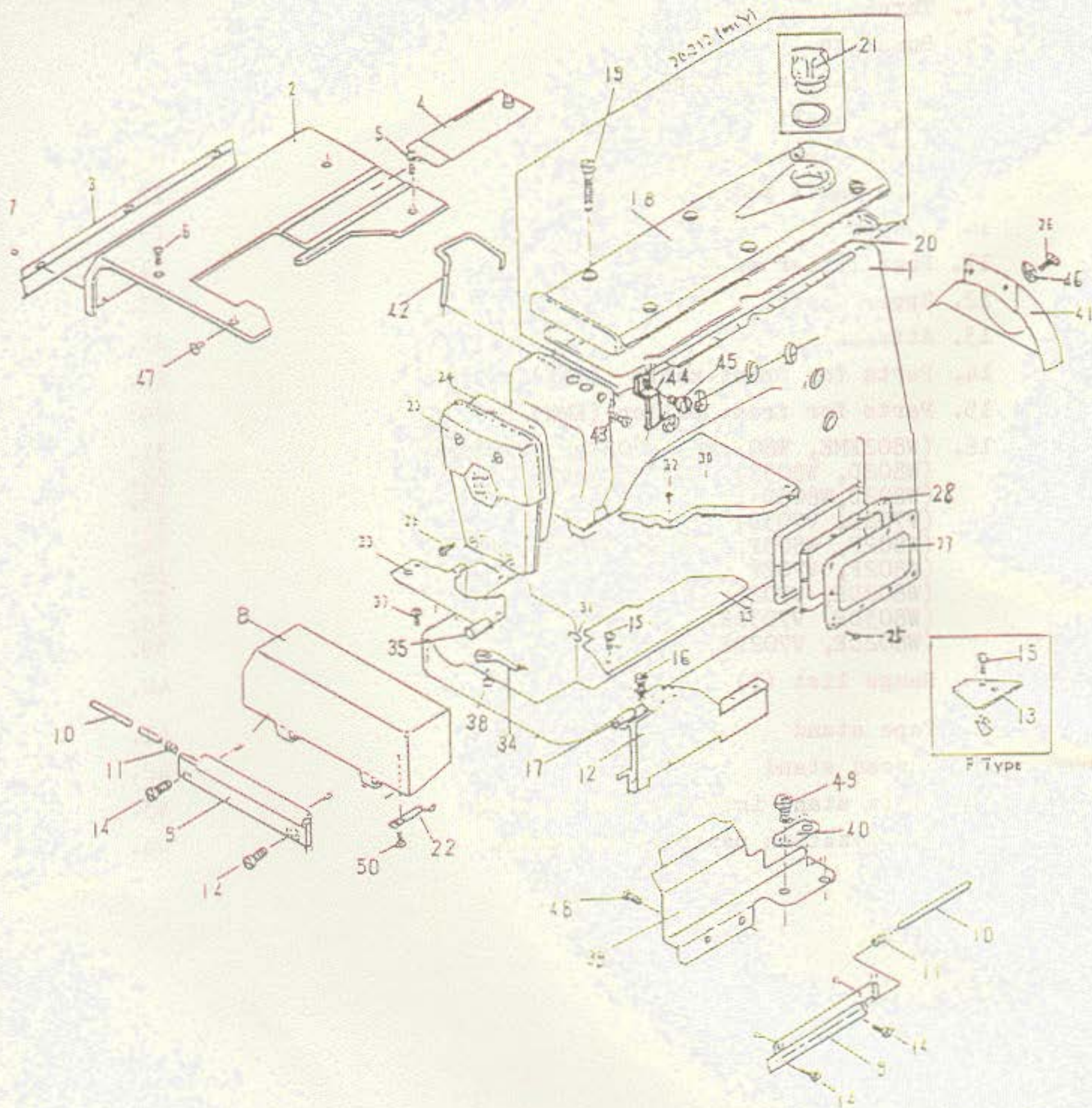


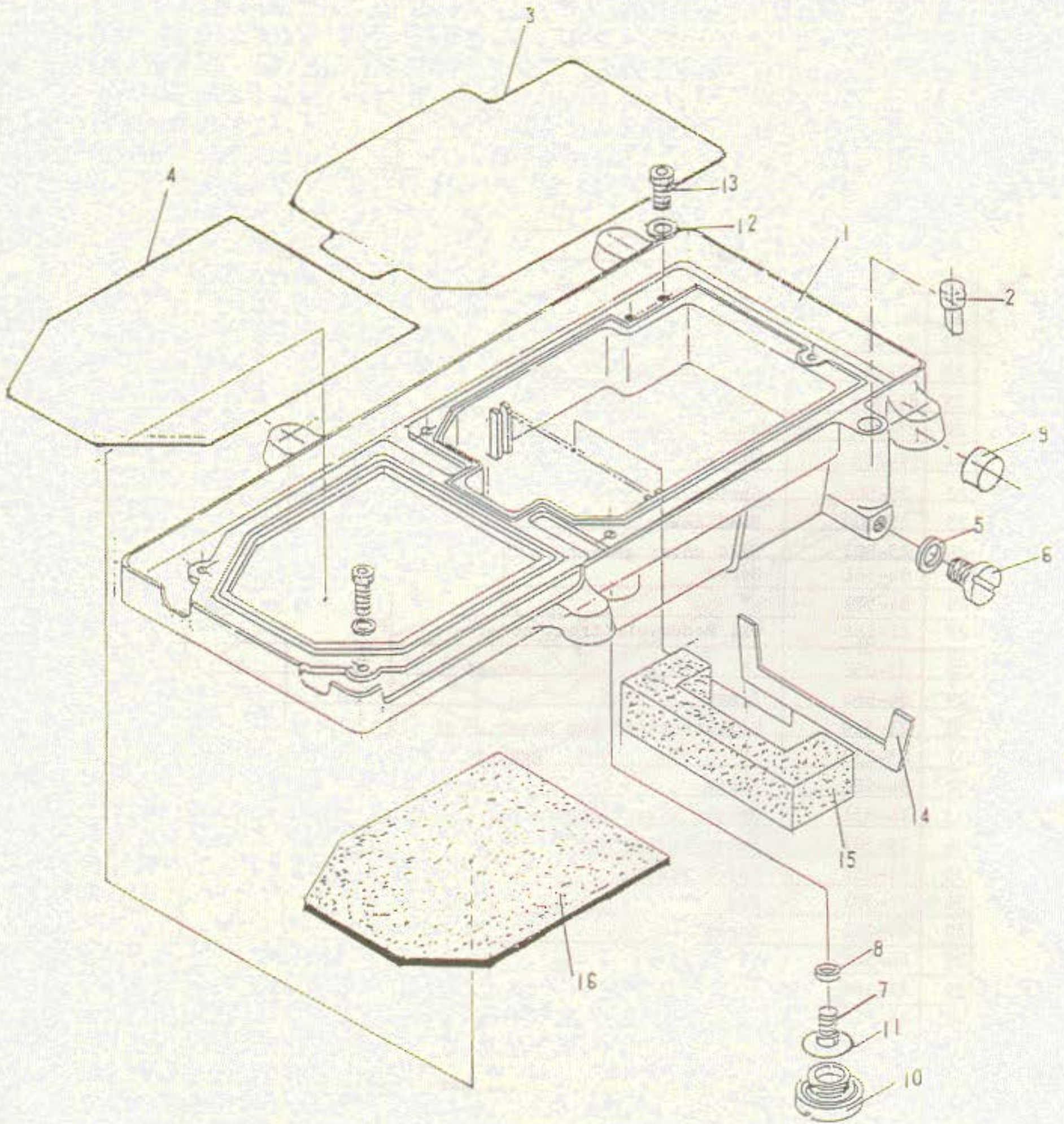
1. Housing components (カバー関係)



1. HOUSING COMPONENTS

No.	Part No.	Part Name	D	DE	F
1	22-881	Arm Bed	1	1	1
	22-882	" " (EMK)			
2	21-721	Upper cloth plate	1	1	1
3	21-441	Upper cloth plate	1	1	1
4	21-521	Slide plate	1	1	1
5	84-574	Screw	2	2	2
6	84-862	Screw	2	2	2
7	84-574	Screw	3	3	3
8	21-352	Side Cover	1	1	1
9	25-108	Hinge	2	2	2
10	71-308	Hinge pin	2	2	2
11	79-233	Spring	1	1	1
12	21-108	Ruller holder A	1	1	1
13	21-192	Ruller plate A	1	1	
	21-191	" " C (F type)			1
14	84-566	Screw	4	4	4
15	84-572	"	2	2	2
16	84-462	"	1	1	1
17	71-401	Latch Pin	1	1	1
18	21-212	Crank chamber oil cover	1	1	1
19	84-566	Screw	6	6	6
20	23-802	Crank chamber oil gasket	1	1	1
21	39-233	Oil pot lid	1	1	1
22	79-502	Spring	1	1	1
23	21-802	Head cover	1	1	1
24	23-801	Head cover gasket	1	1	1
25	84-566	Screw	4	4	4
26	84-571	"	2	2	2
27	21-122	Oil Reservoir front cover	1	1	1
28	23-252	" " " gasket	1	1	1
29	84-664	Screw	10	10	10
30	21-519	Oil Reservoir top cover	1	1	1
31	23-230	" " " gasket	1	1	1
32	84-661	Screw	7	7	7
33	14-031	Needle plate support	1	1	1
34	79-501	Ruler holder spring	1	1	1
35	71-251	Knock pin	2	2	2
36	71-301	Pin	1	1	1
37	84-761	Screw	2	2	2
38	84-561	"	2	2	2
39	21-106	Oil Cover	1	1	1
40	26-712	Washer	1	1	1
41	21-402	Pulley cover	1	1	1
42	21-703	Needle bar eyelet safety bar	1	1	1
43	84-521	Screw	1	1	1
44	21-712	Needle lever eyelet safety plate	1	1	1
45	84-271	Screw	1	1	1
46	75-455	Washer	2	2	2
47	25-801	cushion	3	3	3
48	84-564	Screw	2	2	2
49	85-181	"	2	2	2
50	84-312	"	1	1	1

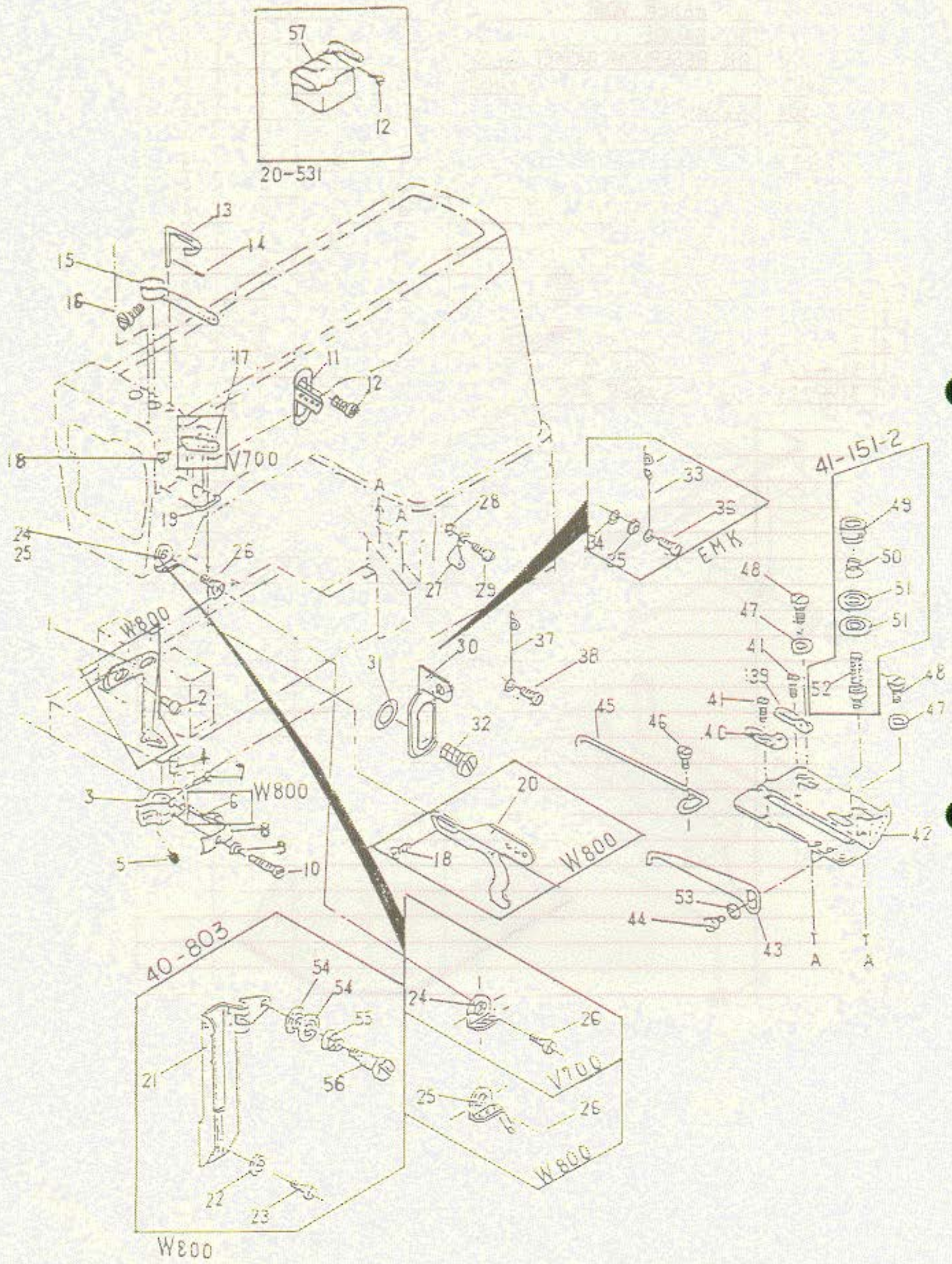
2. Oil Reservoir (オイルタンク関係)



2. Oil Reservoir (オイルタンク 関係)

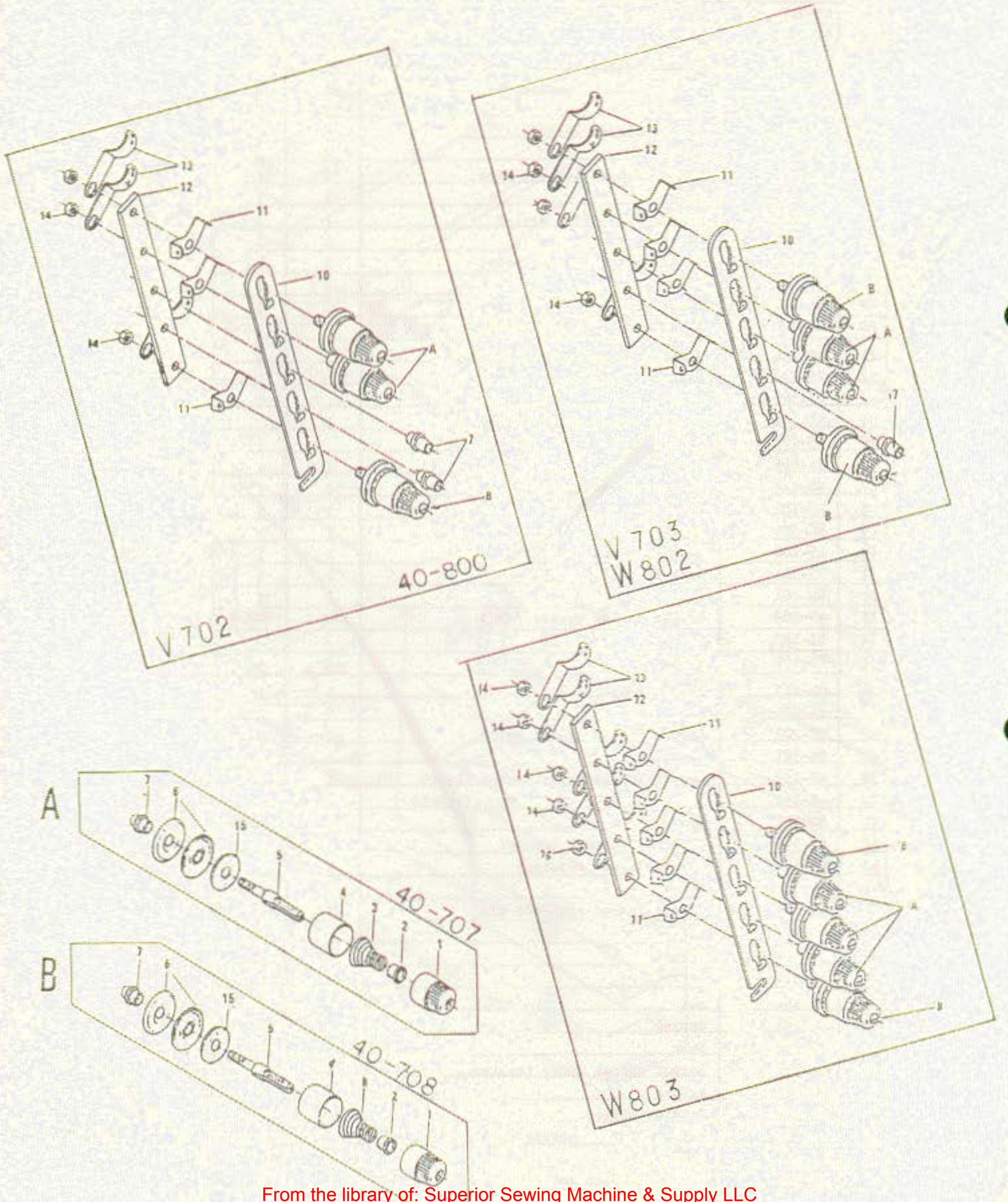
REF NO	PART NO	PART NAME	QTY			
			II	DE	F	LENK
1	31-209	OIL RESER VOIR	1	1	1	1
2	39-216	OIL GAUGE	1	1	1	1
3	23-408	OIL RESERUOIR GASKET (REAR)	1	1	1	1
4	23-407	" " (FRONT)	1	1	1	1
5	23-304	GASKET	1	1	1	1
6	87-311	SCREW	1	1	1	1
7	85-627	"	4	4	4	4
8	23-911	GASKET	4	4	4	4
9	23-122	TABLE RUBBER	4	4	4	4
10	87-756	SCREW	4	4	4	4
11	23-195	O-RING	4	4	4	4
12	75-452	WASHER	2	2	2	2
13	85-628	SCREW	2	2	2	2
14	31-228	OIL CLEANER SUPPORT	1	1	1	1
15	31-227	OIL CLEANER B	1	1	1	1
16	31-226	OIL CLEANER A	1	1	1	1

3. Thread eyelet components (糸這関係)



Ref.	Part No.	Part Name	V700	W800
1	45-923	Zigzag Thread eyelet		1
2	84-361	Screw		2
3	41-304	Nipper bracket		1
4	71-166	Pin		1
5	84-112	Screw		1
6	45-917	"L" Thread eyelet		1
7	84-112	Screw		1
8	45-142	Tension Nipper	1	1
9	41-221	" " spring	1	1
10	84-171	Screw	1	1
11	45-081	Needle thread eyelet	2	2
12	84-361	Screw	2	2
13	45-251	Needle thread take-up wire	1	1
14	84-521	Screw	1	1
15	45-181	Needle bar thread eyelet	1	1
16	84-379	Screw	1	1
17	45-091	Needle Lever thread eyelet	1	1
18	84-611	Screw	1	1
19	45-246	Guide Pin	1	1
20	45-093	Needle lever thread eyelet		1
21	45-094	Covering looper thread eyelet		1
22	75-456	Washer		1
23	84-571	Screw		1
24	45-191	Needle thread guide (V700)	1	
25	45-192	" " " (W800)		1
26	84-462	Screw	1	1
27	41-416	Looper thread eyelet	1	1
28	23-187	O-ring	1	1
29	84-374	Screw	1	1
30	45-100	Looper thread eyelet	1	1
31	75-384	Washer	1	1
32	84-361	Screw	1	1
33	47-202	Looper thread eyelet (EMK)	EMK 1	EMK 1
34	23-187	O ring	1	1
35	75-455	Washer	EMK 1	EMK 1
36	84-413	Screw (EMK)	1	1
	84-374	"		
37	47-205	Looper thread eyelet guide	1	1
38	84-361	Screw	2	2
39	47-132	Looper thread guide eyelet (Left)	1	1
40	47-131	" " " " (right)	1	1
41	84-163	Screw	2	2
42	43-342	Cast-Off Support bracket	1	1
43	43-344	Looper thread retainer	1	1
44	84-574	Screw	1	1
45	43-338	Looper thread cast-off pin	1	1
46	84-163	Screw	1	1
47	75-455	Washer	2	2
48	84-571	Screw	2	2
49	41-154	Nut	1	1
50	41-153	Spring	1	1
51	41-152	Disc	2	2
52	41-151	Looper thread guide tension stud	1	1
53	75-455	Washer	1	1
54	41-156	Tension Nipper		2
55	41-157	" " spring		1
56	84-171	Screw		1
57	20-531	Selection Tank set	1	1

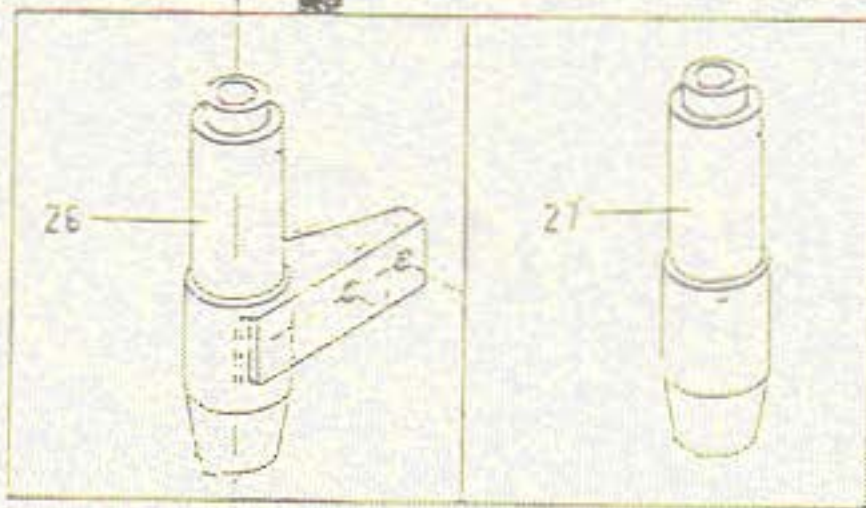
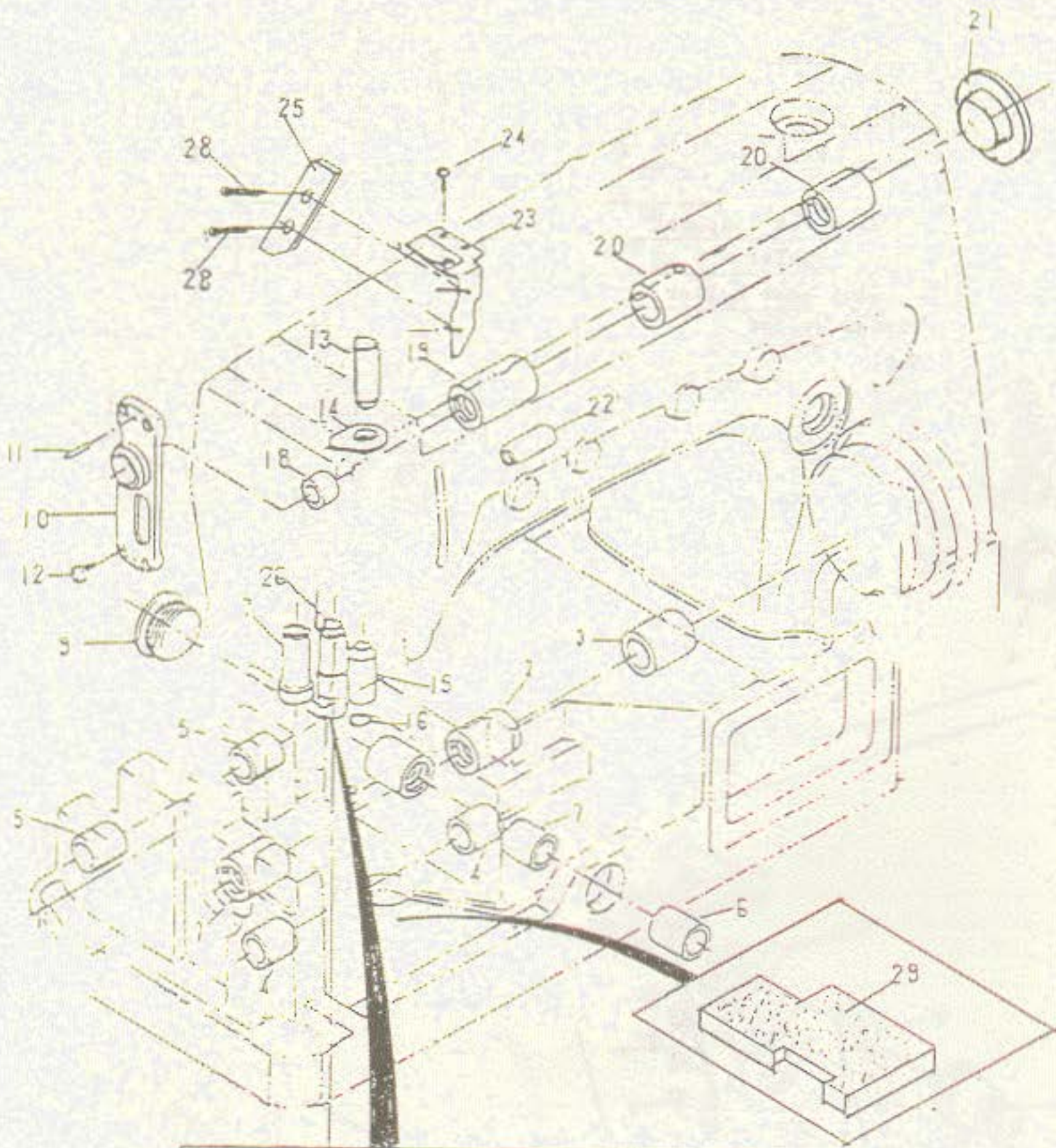
4. Thread Tensioner (糸調子関係)



4. Thread Tensioner

REF.	PART NO.	PART NAME	QTY		
			W803	W802	V702
1	41-101	Adjusting Nut	5	4	3
2	41-105	Adjusting Ratchet	5	4	3
3	41-701	Spring Strong	3	2	2
4	41-107	Disc Cover	5	4	3
5	41-172	Tension post	5	4	3
6	41-111	Disc	10	8	8
7	41-131	Collar	5	4	3
8	41-702	Spring weak	2	2	1
9					
10	41-236	Tension Post Support	1	1	1
11	41-115	Thread eyelet	5	4	3
12	41-237	Tension post holder	1	1	1
13	41-117	Thread eyelet	5	4	3
14	86-411	Nut	5	4	3
15	23-324	Felt	5	4	3

5. Bushings (ブッシュ部品)

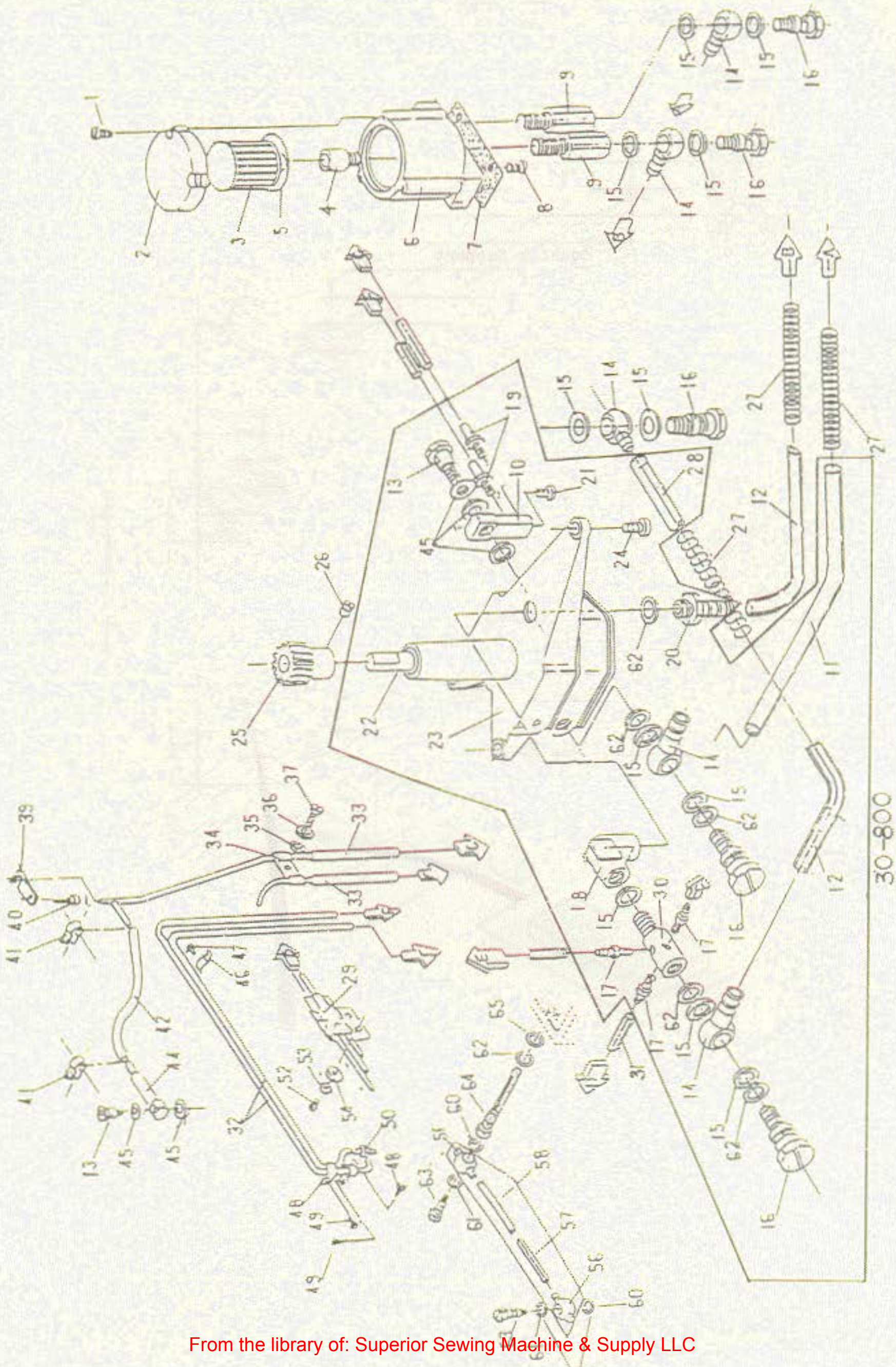


W800

V700

REF.	PART NO.	PART NAME	V700	W800
1	81-805	Bushing	1	1
2	81-806	"	1	1
3	81-807	"	1	1
4	81-736	"	2	2
5	81-751	"	2	2
6	81-139	"	1	1
7	81-136	"	1	1
8	81-137	"	1	1
9	23-170		1	1
10	69-803	Bushing Support	1	1
11	71-216	Pin	2	2
12	84-763	Screw	4	4
13	81-206	Bushing	1	1
14	39-801	Oil fence	1	1
15	81-209	Bushing	1	1
16	94-231	Oil Seal	1	1
17	81-148	Bushing	1	1
18	81-803	"	1	1
19	81-081	"	1	1
20	81-082	"	2	2
21	23-800	O - ring	1	1
22	81-804	Bushing	1	1
23	39-803	Oil Fence	1	1
24	84-462	Screw	2	2
25	39-804	Oil Fence	1	1
26	81-162	Bushing (W800)		1
27	81-163	" (V700)	1	
28	93-621	Snap Pin	2	2
29	23-320	Felt	1	1

6. Oil lubrication apparatus (給油関係)

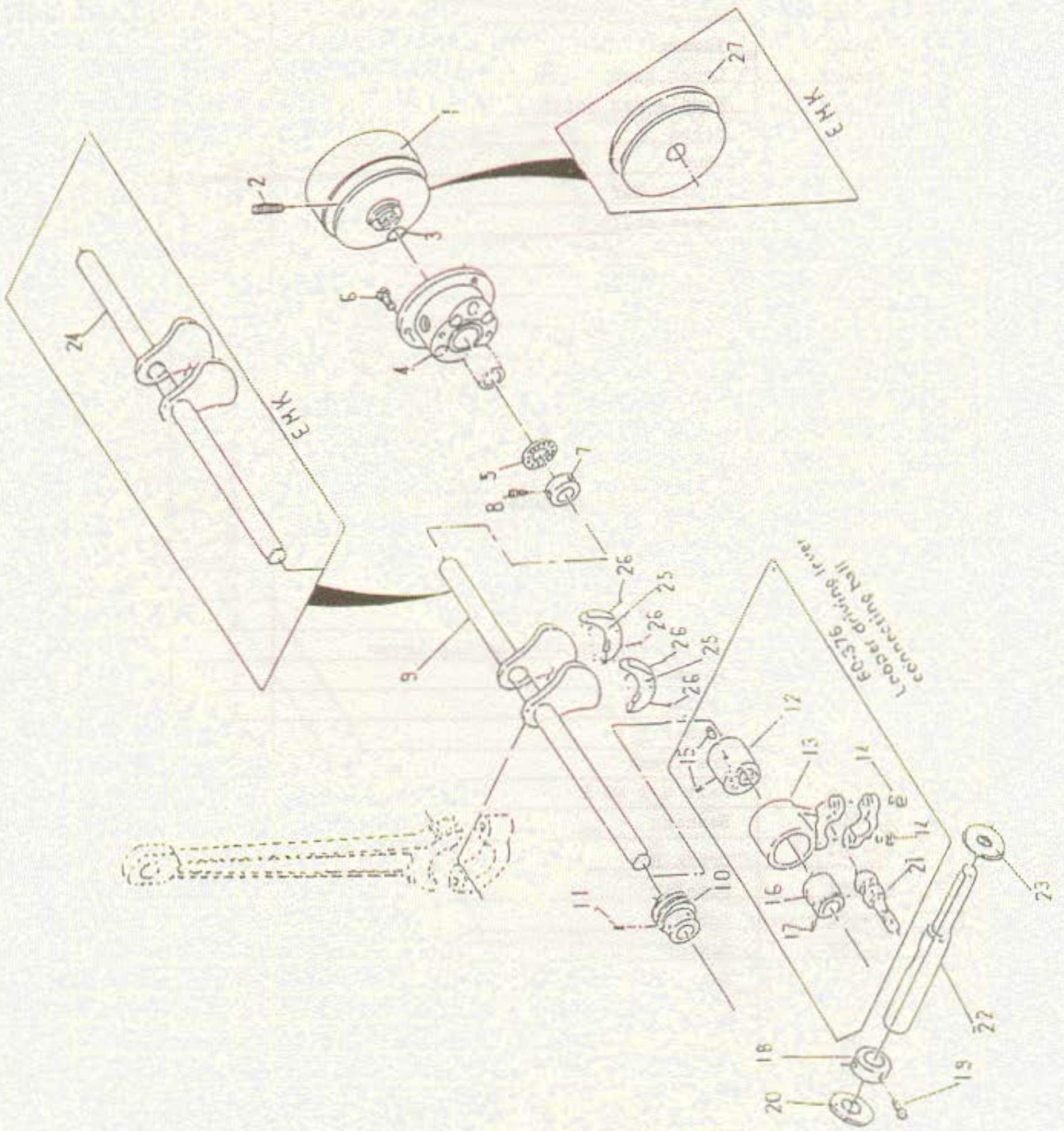


6. OIL LUBRICATION APPARATUS

REF.	PART NO.	PART NAME	QTY
1	84-566	Screw	3
2	35-819	Oil Cap	1
3	31-222	Oil Filter	1
4	35-803	Joint	1
5	23-181	O ring	1
6	35-818	Oil cleaner boy	1
7	23-812	Gasket	1
8	84-568	Screw	4
9	35-807	Oil Tube Joint	2
10	35-828	" " "	1
11	35-331	Oil Tube 180L	1
12	35-332	" " 130L	2
13	35-832	Oil Splash screw	1
14	35-821	" " "	5
15	23-164	Gasket	11
16	35-822	Oil splash screw	5
17	31-314	Vynyl tube coapline	3
18	35-823	Oil tube Joint	1
19	31-364	Vinyl tube coapline	2
20	35-824	Oil tube joint	1
21	85-611	Screw	1
22	35-297	Pipe	1
23	30-017	Oil pump ass'y	1
24	84-572	Screw	3
25	31-409	Gear	1
26	84-521	screw	2
27	35-827	spring	3
28	35-331	Oil Tube	1
29	35-121	pipe	1
30	31-248	oil tube joint	1
31	35-304	vinyl pipe	1
32	35-322	" "	2
33	35-303	" "	2
34	35-247	Piping	1
35	23-281	Packing	1
36	75-468	Washer	1
37	84-363	Screw	1
39	39-137	Pipe support	1
40	84-161	Screw	1
41	31-341	Pipe support	2
42	35-307	Vinyl pipe 180L	1
43	31-317	Tube Joint	1
44	35-831	Vinyl tube coupling	1
45	23-306	Packing	5
46	39-133	Pipe support	1
47	84-361	Screw	1
48	39-133	Support	1
49	84-361	Screw	1
50	31-364	Pipe	1
52	84-363	Screw	3
53	75-468	Washer	2
54	23-291	Packing	2
56	35-305	Tube coupling	2
57	23-593	Felt	1
58	23-207	Vinyl Pipe	1
60	23-306	Packing	2
61	23-306	"	2
62	75-470	Washer	6
63	35-303	Oil guide screw	2
64	35-201	Oil flow screw	1
65	23-306	"	1

REF.	PART NO	PART NAME	QTY
1	67-801	Crank Assembly	1
2	71-455	Threaded Pin	2
3	75-381	Washer	2
4	86-501	Nut	2
5	71-501	Upper Pin	2
6	84-362	Screw	2
7	75-522	Washer	4
8	75-249	Lever bush	2
9	66-802	Needle bar joint	1
10	84-617	Screw	1
11	86-311	Nut	2
12	11-801	Needle bar	1
13	71-693	Upper shaft C	1
14	67-802	Crank lever	1
15	75-306	Washer	2
16	75-106	Collar	2
17	85-213	Screw	1
18	24-102	Plate	1
19	84-511	Screw	2
20	71-506	Pin	1
21	67-803	Arm with screws	1
22	66-801	Thread Tension Regulating link	1
23	84-814	Screw	1
24	84-599	"	1
25	75-552	Washer	2
26	75-284	Roller	1
27	67-805	Thread Tension Regulating Lever	1
28	84-814	Screw	1
29	75-152	Collar	1
30	75-366	Washer	1
31	69-801	Arm Crank	1
32	23-398	Felt 4 x 40 L	1
34	81-802	Bushing	1
35	63-381	Crank Rod	1
36	81-801	Bushing	1
37	84-621	Screw	2
38	75-388	Washer	2
39	86-315	Nut	2
40	85-113	Screw	3
41	71-881	Crank shaft	1
42	71-883	" "	1

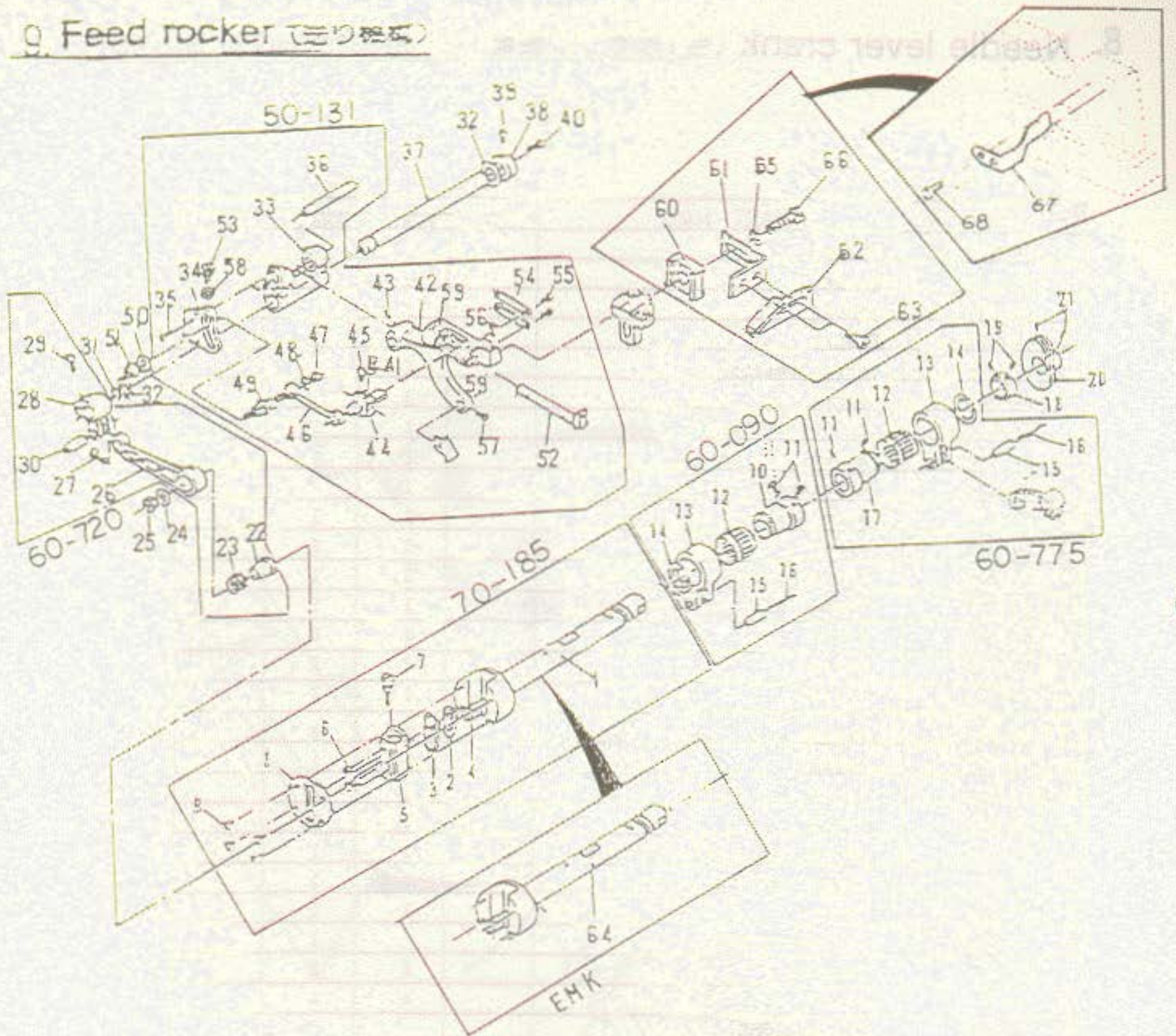
8. Needle lever crank (弓・クランク機構)



8. Needle lever crank (三・クランク機構)

REF. NO.	PART NO.	PART NAME	V.W.	EMK
1	69-216	Pulley	1	
2	84-114	Screw	2	2
3	23-197	O-ring	1	1
4	69-306	Flange	1	1
5	92-231	Thrust bearing	1	1
6	84-566	Screw	3	3
7	75-112	Thrust Collar	1	1
8	84-563	Screw	2	2
9	71-881	Crankshaft	1	
10	31-410	Worm Gear	1	1
11	84-718	Screw	2	2
12	61-514	Looper driving eccentric	1	1
13	63-515	Looper driving lever ball joint	1	1
14	84-567	Screw	2	2
15	85-113	Screw	2	2
16	75-101	Collar	1	1
17	85-113	Screw	2	2
18	75-107	Collar	1	1
19	85-212	Screw	1	1
20	75-322	Washer	1	1
21	61-713	Looper driving eccentric	1	1
22	71-613	Looper driving shaft B	1	1
23	75-332	Washer	1	1
24	71-883	Crankshat EMK		1
25	69-147	Balance	2	2
26	84-579	Screw	4	4
27	69-210	Pulley (EMK)		1

9. Feed rocker (送料機構)

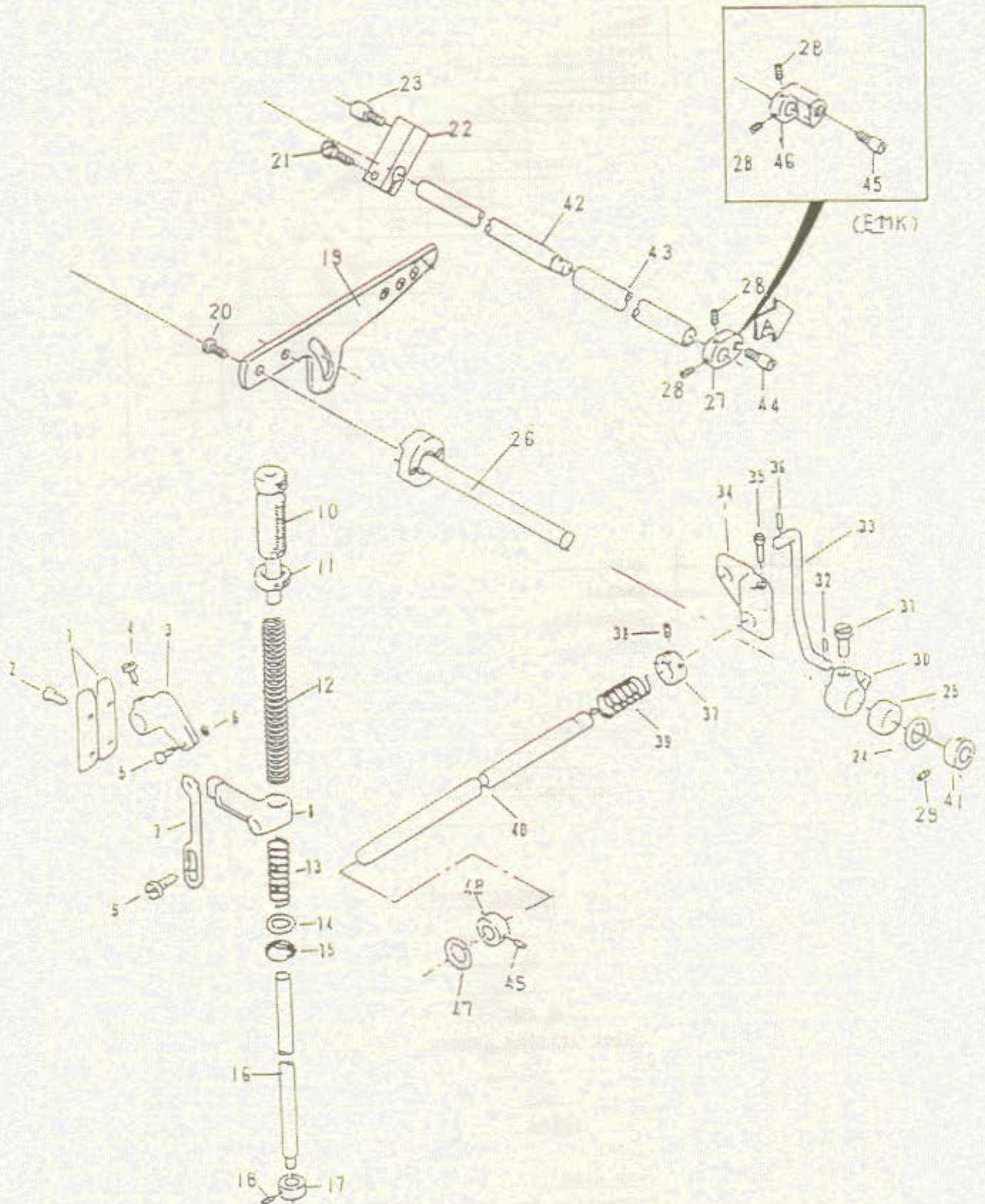


REF.	PART NO.	PART NAME	QTY.
1	71-705	Main shaft BE	1
2	51-036	Stitch regulating stud cup	1
3	23-197	O ring	1
4	23-393	Felt	1
5	51-014	Feed crank adjusting post	1
6	85-624	Screw	1
7	84-383	"	1
8	51-031	Main shaft plate	1
9	84-661	Screw	4
10	61-322	Feed eccentric 0.9	1
11	84-715	Screw	4
12	91-406	Bearing	2
13	63-232	Eccentric Link	2
14	93-406	Snap Ring	2
15	71-431	Eccentric Link Pin	2
16	23-341	Felt	2
17	61-514	Looper avoid eccentric 0.75	1
18	75-114	Collar	1

9. Feed rocker (送り機構)

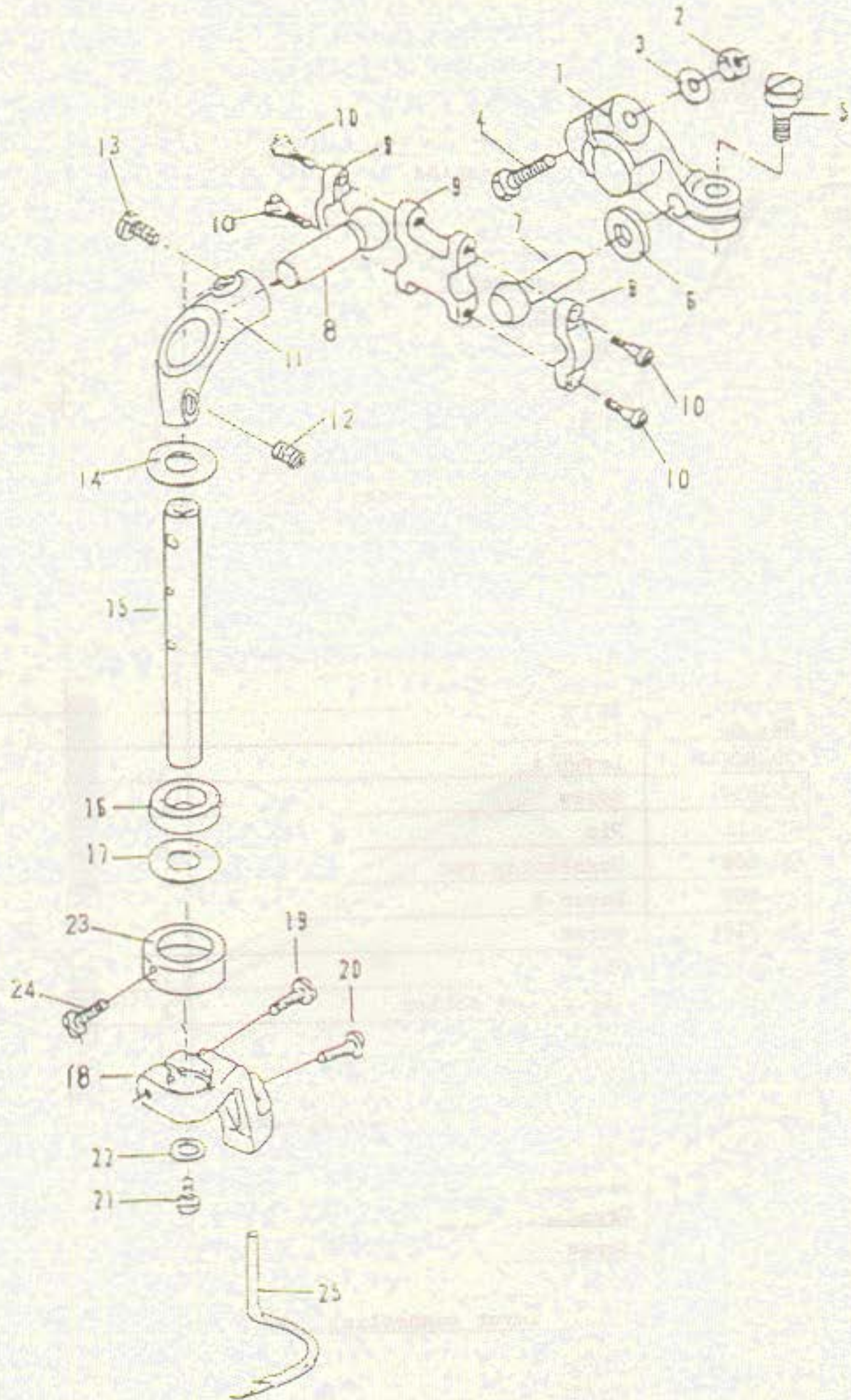
REF NO	PART NO	PART NAME			
19	84-511	Screw	2	2	
20	49-139	Looper thread double disc	1	1	
21	84-711	Screw	2	2	
22	75-243	Feed crank link collar	1	1	
23	91-271	Bearing	1	1	
24	75-453	Washer	1	1	
25	86-412	Nut	1	1	
26	67-312	Feed rocker arm	1	1	
27	84-366	Screw	1	1	
28	63-352	Feed rocker link	1	1	
29	84-314	Screw	1	1	
30	71-431	Feed rocker link pin	1	1	
31	93-261	Snap link	1	1	
32	75-372	Washer	1	1	
33	51-102	Differential feed rocker	1	1	
34	51-105	Feed rocker segment shot plate	1	1	
35	84-363	Screw	3	3	
36	71-531	Shaft	1	1	
37	71-647	Feed rocker arm shaft	1	1	
38	75-132	Collar	1	1	
39	84-816	Screw	1	1	
40	84-574	"	1	1	
41	84-314	"	1	1	
42	51-103	Main differential feed	1	1	
43	84-521	Screw	1	1	
44	51-109	Differential feed bar guide	1	1	
45	84-379	Screw	2	2	
46	66-506	Feed crank link	1	1	
47	86-311	Nut	1	1	
48	75-458	Washer	1	1	
49	51-113	Crank set pin	1	1	
50	75-458	Washer	1	1	
51	86-411	Nut	1	1	
52	51-120	Front feed dog holder bracket	1	1	
53	87-136	Screw	1	1	
54	51-111	Differential feed bar guide	2	2	
55	84-164	Screw	1	1	
56	84-462	"	1	1	
57	84-366	"	1	1	
58	86-136	Nut	1	1	
59	81-141	Bushing	2	2	
60	18-709	Needle guard holder	1	1	
61	18-720	" " " B	1	1	
62	18-719	" " "	1	1	
63	84-161	Screw	2	2	
64	71-787	Main shaft 8G			
65	75-455	Washer	1	1	
66	84-614	Screw	1	1	
67	18-705	Needle guard	1	1	
68	84-571	Screw	1	1	

Foot lifter components (押え上げ機構)



REF.	PART NO	PART NAME	V W	EMK
1	77-139	Presser bar connecting guide D	2	2
2	84-567	Screw	4	4
3	77-802	Foot lifter crank	1	1
4	84-816	Screw	1	1
5	71-326	Pin	1	1
6	93-200	E - ring	1	1
7	77-801	Foot Lifter connecting plate	1	1
8	77-803	Presser bar guide	1	1
9	84-817	Screw	1	1
10	85-801	"	1	1
11	86-851	Nut	1	1
12	79-123	Presser bar spring	1	1
13	79-140	Oil Seal spring	1	1
14	75-436	Washer	1	1
15	23-311	Oil Seal	1	1
16	71-543	Presser Bar C	1	1
17	75-154	Collar	1	1
18	84-511	Screw	1	1
19	77-811	Control lever	1	1
20	84-566	Screw	1	1
21	84-812	"	1	1
22	77-103	Adjusting post supporter	1	1
23	84-561	Screw	1	1
24	75-327	Washer	2	2
25	94-802	Oil Seal	2	2
26	77-124	Foot lifter crank shaft	1	1
27	77-101	Lifter lever connecting	1	1
28	84-512	screw	2	2
29	84-563	"	1	1
30	77-806	Lever A	1	1
31	85-816	Screw	1	1
32	93-611	Pin	1	1
33	77-808	Connecting rod	1	1
34	77-807	Lever B	1	1
35	84-718	screw	2	2
36	93-611	Pin	1	1
37	77-809	Spring set collar	1	1
38	85-113	Screw	2	2
39	79-225	Spring	1	1
40	71-555	Foot lifter interlocking shaft	1	1
41	75-130	Collar	1	1
42	77-111	Crankshaft B	1	1
43	77-121	Crankshaft pipe	1	1
44	84-562	Screw	1	1
45	84-575	"		1
46	77-102	Lifter lever connecting (EMK)		1
47	75-451	Washer		
48	75-154	Collar		
49	84-511	Screw		

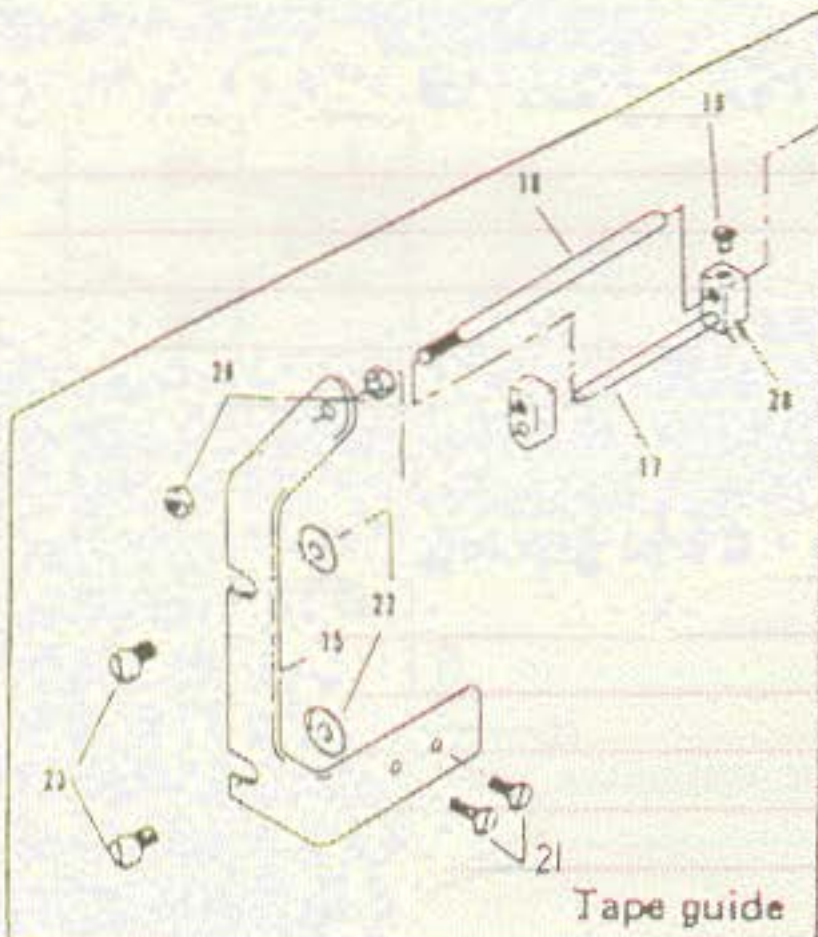
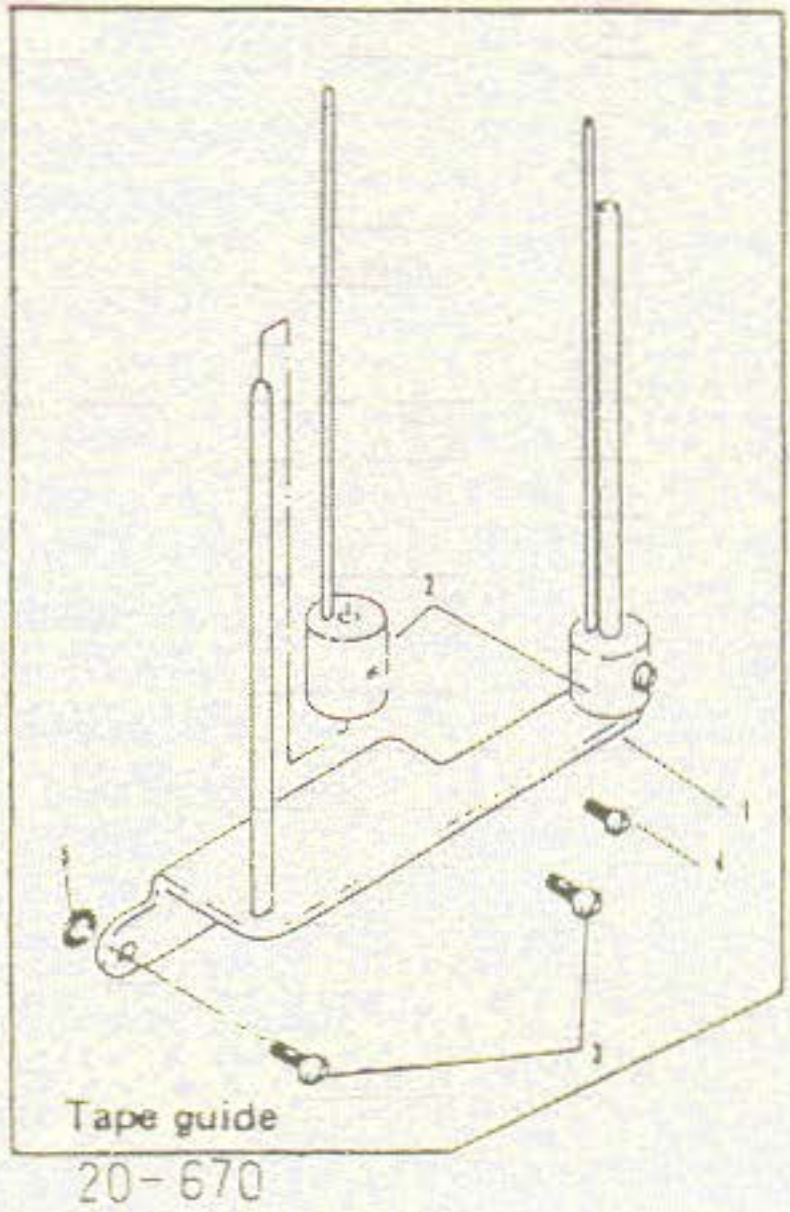
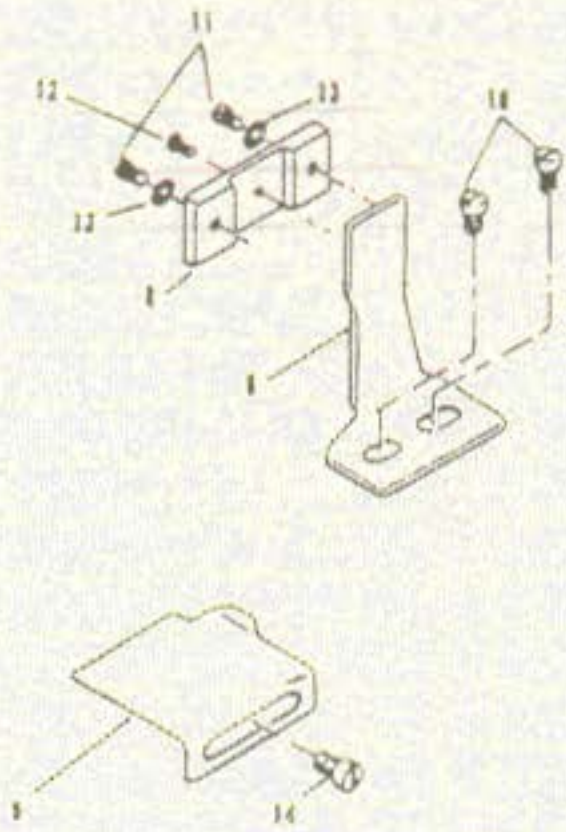
12. Upper shaft components (上飾り機構)



12. Upper shaft components (上飾り機構)

P-F NO	PART NO	PART NAME		CTY
1	67-804	COVERING LEVER	1	
2	86-501	NUT	1	
3	75-381	WASHER	1	
4	71-455	SCREW PIN	1	
5	84-413	SCREW	1	
6	75-398	WASHER	1	
7	61-802	CONNECTING ROD R	1	
8	61-801	" " A	1	
9	63-525	CONNECTING BALL JOINT	1	
10	84-172	SCREW	4	
11	04-802	JOINT	1	
12	84-726	SCREW	1	
13	84-611	SCREW	1	
14	75-356	WASHER	1	
15	71-553	SHAFT	1	
16	94-801	OIL SEAL	1	
17	75-367	WASHER	1	
18	04-801	LOOPER CRANK	1	
19	84-566	SCREW	1	
20	84-374		1	
21	84-814	SCREW	1	
22	75-459	WASHER	1	
23	75-152	COLLA	1	
24	84-511	SCREW	2	
25	19-807	COVERING LOOPER	1	

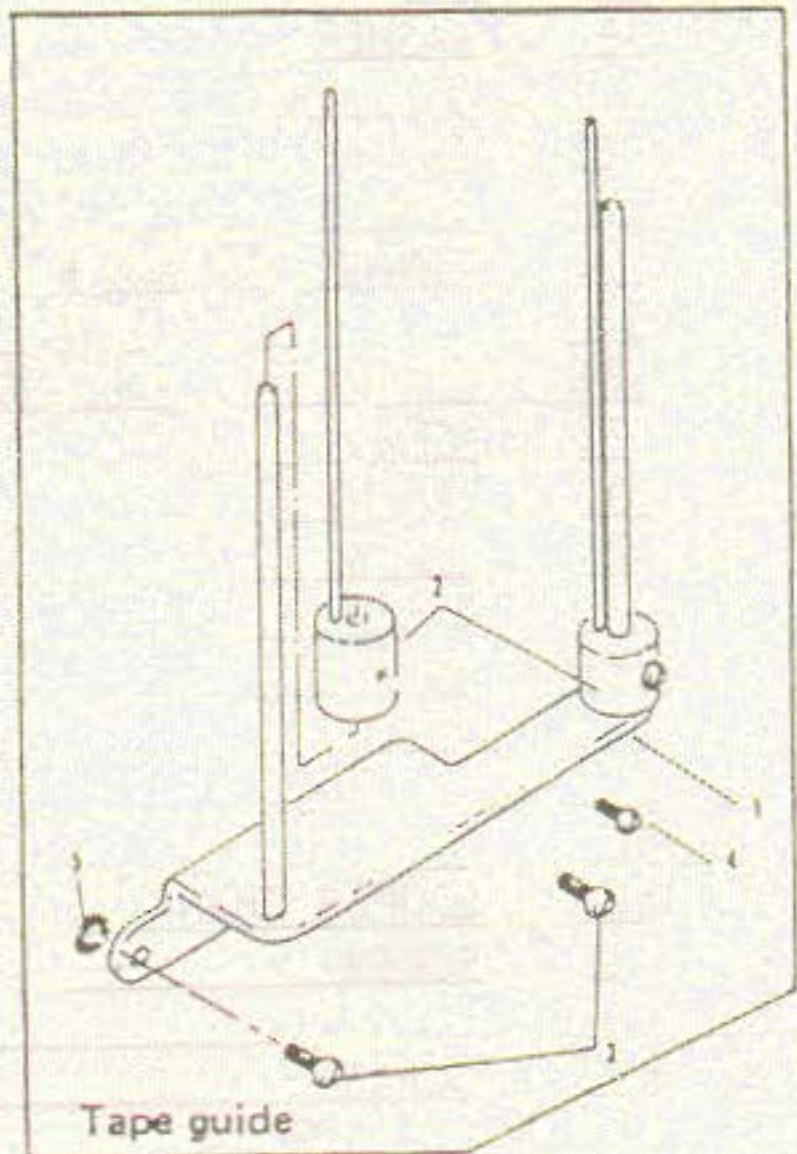
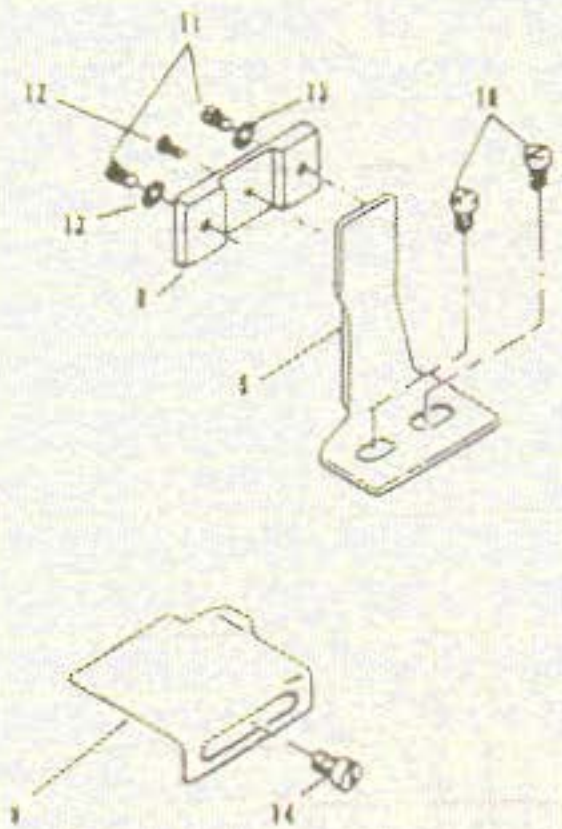
13. Attachments (アタッチメント)



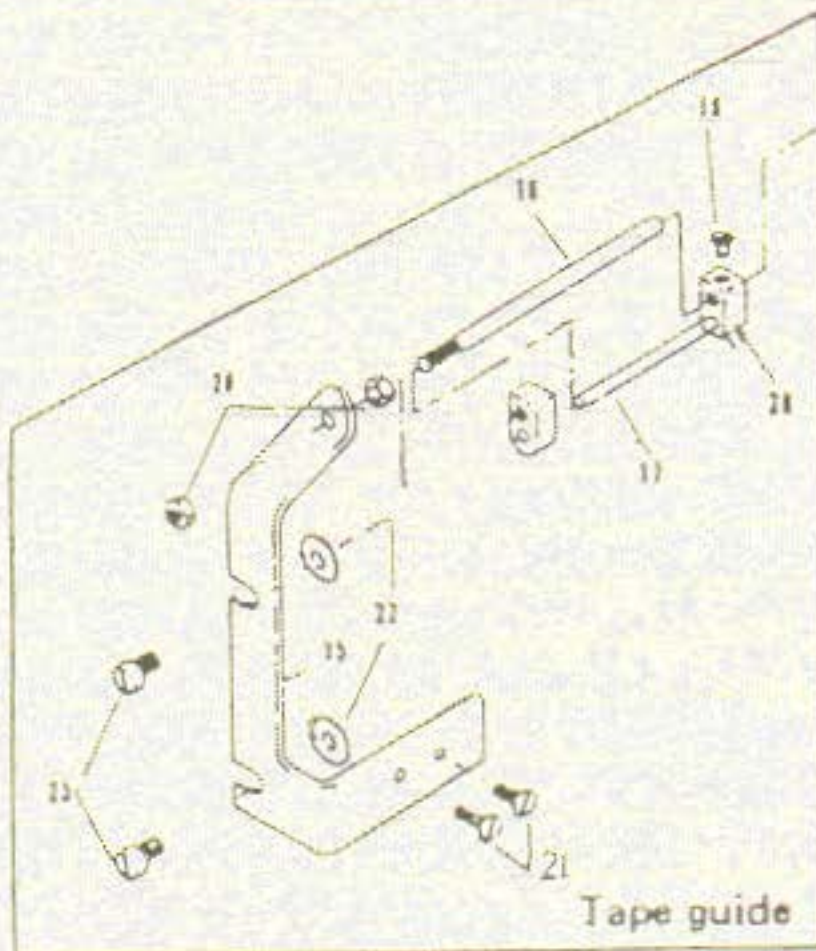
13. Attachments (アタッチメント)

REF NO	PART NO	PART NAME	QTY			
1	26-702	Tape guide bracket	1			
2	26-703	Tape guide adjuster	1			
3	84-566	Screw	2			
4	84-571	"	2			
5	23-187	Gasket	2			
6	26-711	Folder base	1			
7						
8	26-713	Folder base for F	1			
9	26-761	Plate	1			
10	84-181	Screw	2			
11	84-566	Screw	2			
12	84-571	Screw	1			
13	75-455	Washer	2			
14	85-566	Screw	2			
15	26-706	Rubber puller guide plate	1			
16	26-751	Rubber puller bar	1			
17	26-752	Rubber puller guide bar	1			
18	26-753	Rubber puller fittings	2			
19	84-162	Screw	2			
20	86-411	Nut	2			
21	84-363	Screw	2			
22	75-456	Washer	2			
23	84-566	Screw	2			

13. Attachments (アタッチメント)



Tape guide
20-670

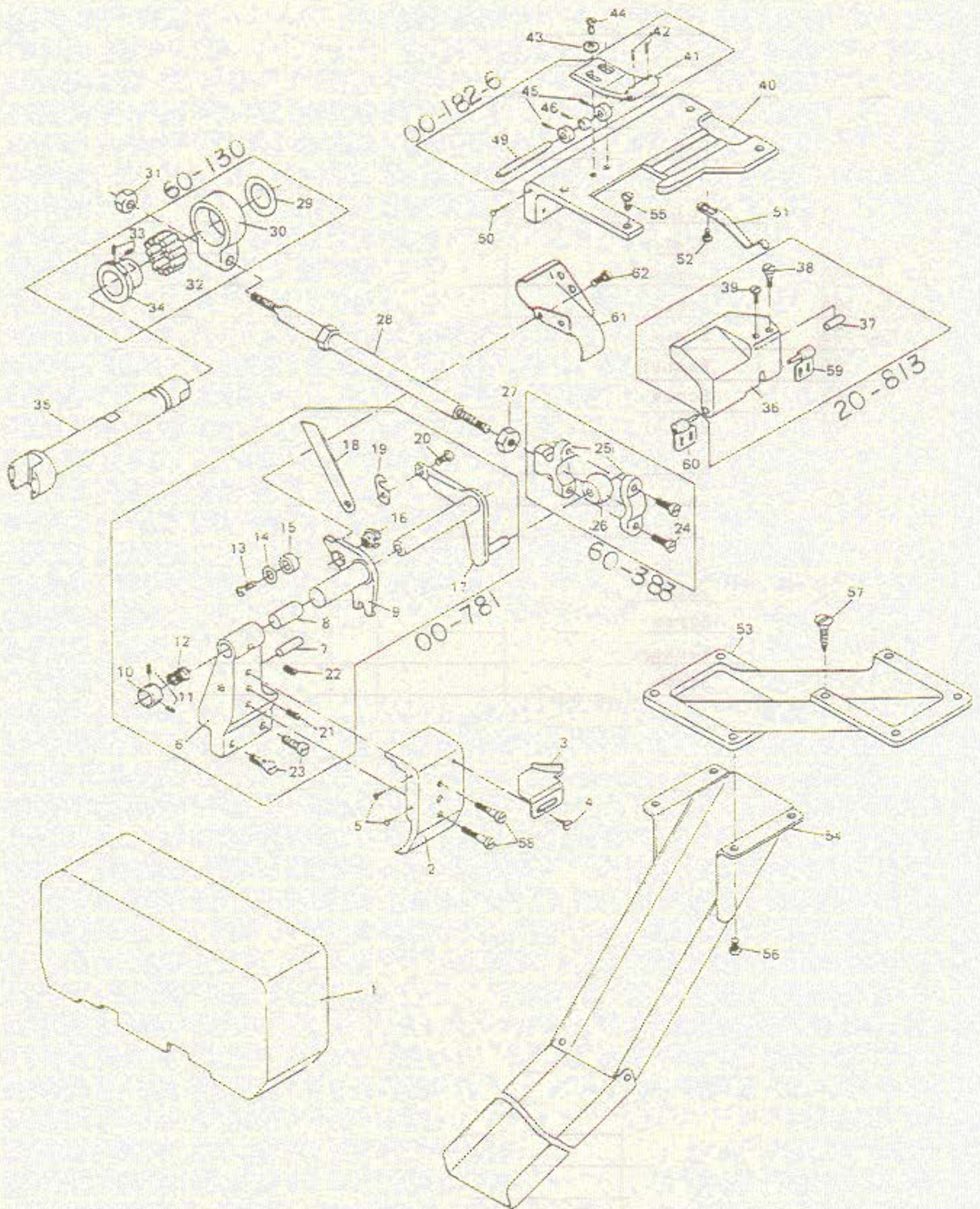


Tape guide

13. Attachments (アタッチメント)

REF NO	PART NO	PART NAME	QTY		
1	26-702	Tape guide bracket	1		
2	26-703	Tape guide adjuster	1		
3	84-566	Screw	2		
4	84-571	"	2		
5	23-187	Gasket	2		
6	26-711	Folder base	1		
7					
8	26-713	Folder base for F	1		
9	26-761	Plate	1		
10	84-181	Screw	2		
11	84-566	Screw	2		
12	84-571	Screw	1		
13	75-455	Washer	2		
14	85-566	Screw	2		
15	26-706	Rubber puller guide plate	1		
16	26-751	Rubber puller bar	1		
17	26-752	Rubber puller guide bar	1		
18	26-753	Rubber puller fittings	2		
19	84-162	Screw	2		
20	86-411	Nut	2		
21	84-363	Screw	2		
22	75-456	Washer	2		
23	84-566	Screw	2		

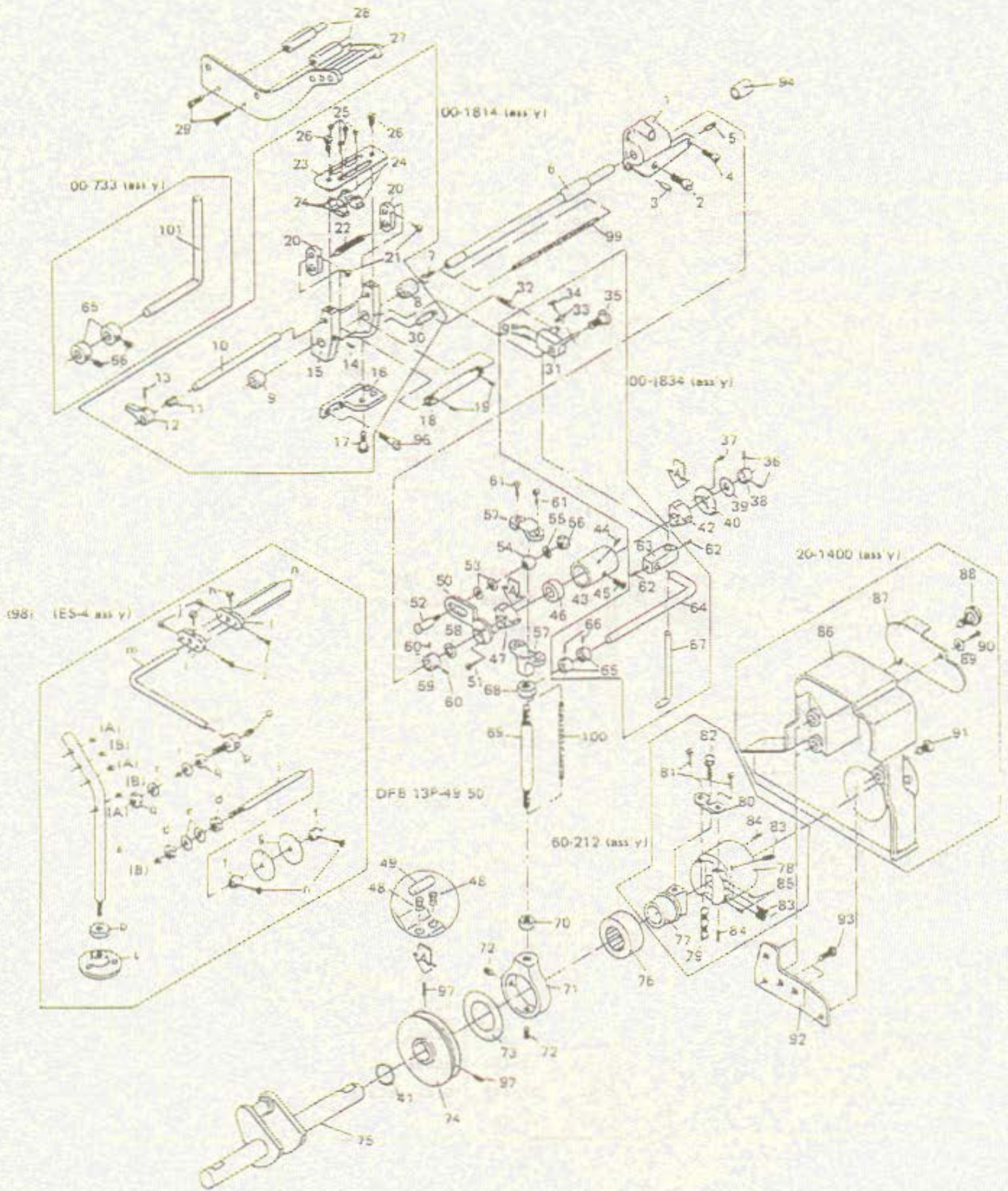
14. Front trimmer mechanism (前メス機構)



14 Front trimmer mechanism (前メス機構)

Ref. NO.	Part NO.	Part Name	Q'ty	Ref. NO.	Part NO.	Part Name	Q'ty
1	21-353	Side cover (EMK)	1	32	91-411	Bearing	1
2	07-015	Front cover (left)	1	33	84-715	Screw	2
3	26-762	Front culer	1	34	61-251	Eccentric	1
4	84-370	Screw	1	35	71-782	main shaft BG	1
5	25-801	Cushion	2	36	21-813	Front cover (right)	1
6	07-183	base	1	37	71-401	Pin	1
7	71-259	Pin	1	38	84-511	Screw	1
8	61-338	Bushing	1	39	84-464	Screw	1
9	07-182	Lower knife holder	1	40	21-723	Upper cloth plate	1
10	75-152	Washer	1	41	01-832	Lace guide bracket	1
11	84-511	Screw	1	42	84-314	Screw	2
12	79-142	Spring	1	43	75-455	Washer	2
13	84-763	Screw	1	44	84-566	Screw	2
14	75-458	Washer	1	45	84-314	Screw	2
15	07-147	Washer	1	46	84-314	Screw	1
16	07-166	Clamp	1	47	01-827	Lace guide post firing collar	2
17	07-167	Upper knife carrier	1	48	01-828	Adjust collar	1
18	07-189	lower knife	1	49	01-826	Lace guide post	1
19	07-166	Upper knife	1	50	25-801	Cushion	2
20	84-362	Screw	1	51	79-505	Spring	1
21	84-521	Screw	1	52	84-161	Screw	1
22	84-521	Screw	1	53	07-001	Chip chute A	1
23	84-763	Screw	2	54	28-701	Chip chute B	1
24	84-809	Screw	2	55	84-464	Screw	1
25	63-811	Connecting rod	1	56	84-566	Screw	4
26	61-841	ball	1	57	87-901	rod screw	4
27	86-411	Nut	1	58	84-566	Screw	2
28	65-507	Connecting bar	1	59	25-102	Hinge left	1
29	75-321	Washer	1	60	25-101	Hinge right	1
30	63-211	Eccentric link	1	61	07-149	Side gold plate	1
31	86-411	Nut	1	62	84-161	Screw	3

15. Front puller mechanism (EMK前プーラ装置)



15. Front puller mechanism (EMK前プーラ装置)

Ref. NO	Part No.	Part Name	Q'ty	Ref. NO	Part No.	Part Name	Q'ty
1	01-823	Bushing base	1	52	01-821	Elastic feed drive pin	1
2	85-629	Screw	2	53	75-381	Collar	2
3	71-306	Knock pin	2	54	61-843	Ball	1
4	84-571	Screw	1	55	75-458	Washer	1
5	71-456	Pin	1	56	86-411	Nut	1
6	71-504	Metering roller shaft	1	57	63-712	Elastic feed drive ball joint	1
7	84-574	Screw	1	58	75-451	Washer	1
8	81-328	Bushing	1	59	75-152	Collar	1
9	81-329	Bushing	1	60	84-511	Screw	2
10	71-505	Shaft	1	61	84-609	Screw	2
11	79-158	Spring	1	62	84-616	Screw	2
12	01-806	Pressure lever	1	63	01-731	Elastic guide bar bracket	1
13	84-761	Screw	1	64	01-729	Elastic guide bar A	1
14	84-521	Screw	1	65	01-728	Elastic guide collar	2
15	01-741	Metering roller frame	1	66	84-314	Screw	2
16	01-742	Metering roller base	1	67	01-730	Elastic guide bar B	1
17	85-629	Screw	1	68	86-742	Nut (left)	1
18	01-711	Metering roller (large)	1	69	65-304	Connecting rod	1
19	84-314	Screw	1	70	86-741	Nut	1
20	01-805	Bracket	2	71	63-204	Eccentric feed drive	1
21	84-164	Screw	2	72	84-521	Screw	2
22	01-712	Metering roller (small)	1	73	75-163	Washer	1
23	01-714	Elastic guide plate	1	74	69-210	Pulley	1
24	01-837	Position block	4	75	73-883	Crank shaft 8 EM	1
25	84-361	Screw	4	76	91-158	Bearing	
26	84-574	Screw	2	77	61-257	Elastic feed eccentric	1
27	01-720	Elastic guide	1	78	69-212	Hand wheel	1
28	26-709	Screw	2	79	69-701	Space liner	1
29	84-566	Screw	2	80	01-807	Seat	1
30	01-732	Pin	1	81	84-571	Screw	2
31	01-734	Elastic guide bar holder	1	82	84-603	Seat screw	1
32	79-701	Spring	1	83	85-114	Screw	4
33	86-136	Nut	1	84	84-315	Screw	2
34	87-143	Screw	1	85	84-567	Screw	2
35	84-605	Screw	1	86	21-410	Pulley cover	1
36	84-511	Screw	2	87	21-413	Cover	1
37	84-162	Screw	3	88	09-286	Hand screw	1
38	75-152	Collar	1	89	75-454	Spring washer	1
39	75-451	Washer	1	90	84-585	Screw	1
40	01-824	Clutch plate	1	91	84-566	Screw	3
41	23-297	O ring	1	92	01-822	Bracket	1
42	02-101	Clutch	1	93	84-566	Screw	2
43	01-704	Sleeve	1	94	81-327	Bushing	1
44	84-719	Screw	1	95	84-314	Screw	2
45	84-462	Screw	1	96	85-629	Screw	2
46	02-261	Puller crust collar	1	97	85-114	Screw	2
47	02-101	Clutch	1	98	20-604	Tape stand 294	1
48	79-191	Check clutch spring	12	99	23-341	Felt	2
49	71-466	Check clutch roller	6	100	23-396	Felt	1
50	01-810	Elastic feed crank	1	101	01-733	Elastic guide bar B	1
51	84-162	Screw	3				

16. GAUGE

(1)

W802EMK (1/8 - 1/4") V-702-EMK (1/8 - 1/4) W803-EMK (7/32-1/4) V703-EMK (7/32 - 1/4)

	m/m	Part No
1/8"	3.17	12-811
5/32"	3.97	12-812
3/16"	4.76	12-813
7/32"	5.56	12-814
1/4"	6.35	12-815

Needle Holder(2 needle)

	m/m	Part No.
7/32"	5.56	12-801
1/4"	6.35	12-802

Needle Holder (3 needles)

	m/m	Part No
1/8"	3.17	14-728
5/32"	3.97	14-738
3/16"	4.76	14-748
7/32"	5.56	14-758
1/4"	6.35	14-768

Needle Plate (2 needles)

	m/m	Part No
7/32"	5.56	14-858
1/4"	6.35	14-868

Needle plate (3 needles)

Presser foot

	m/m	Part No.
1/8"	3.17	17-828
5/32"	3.97	17-838
3/16"	4.76	17-848
7/32"	5.56	17-858
1/4"	6.35	17-868

Presser foot (3 needles)

	m/m	Part No.
7/32"	5.56	17-888
1/4"	6.35	17-898

Feed dog(rear)

Rear feed dog Holder

15-828

Feed dog(Front)

Looper

15-728

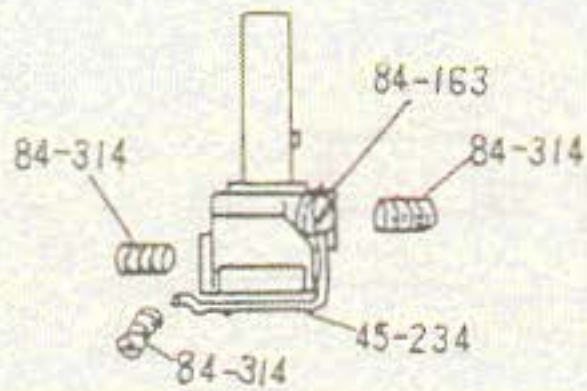
19-801

16. GAUGE

(2)

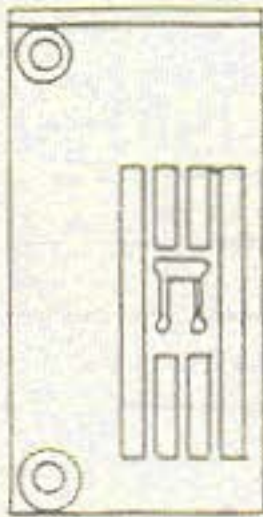
W802D (5/32", 1/8")

V702D (5/32", 1/8")



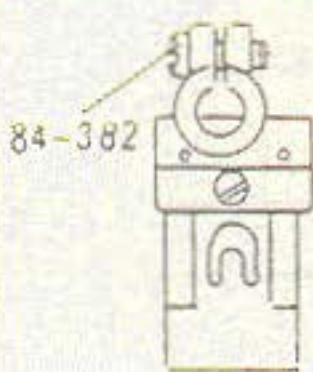
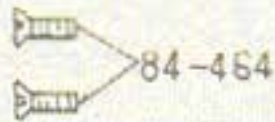
	m/m	Part No.
5/32"	3.97	12-812
1/8"	3.17	12-811

Needle holder (2 needles)

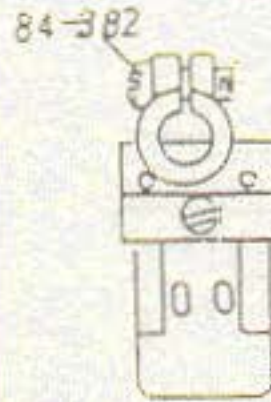


	m/m	Part No.
5/32"	3.97	14-734
1/8"	3.17	14-724

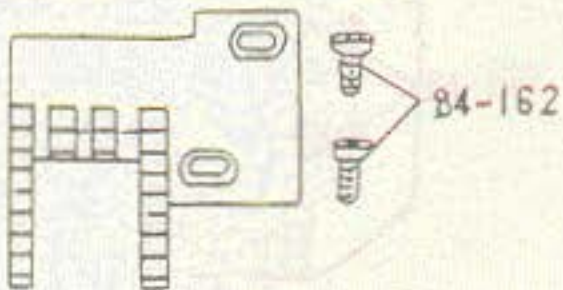
Needle plate (2 needles)



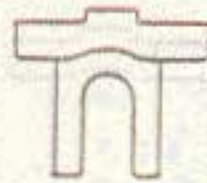
5/32"	3.97	17-834
1/8"	3.17	17-824
	m/m	Part No.



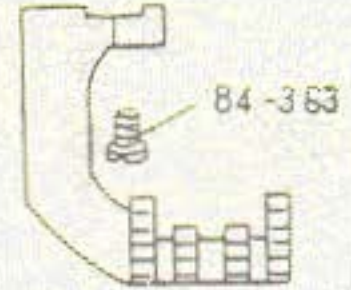
	m/m	Part No.
5/32"	3.97	17-734
1/8"	3.17	17-724



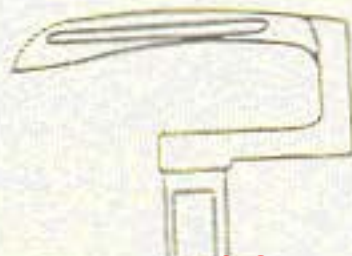
Feed dog (R)
15-755



Rear feed dog Holder
51-118



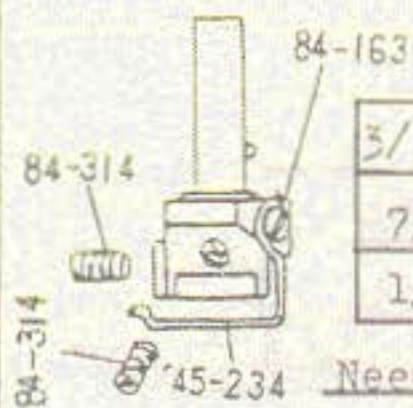
Feed dog (F.)
15-724



Looper
19-801

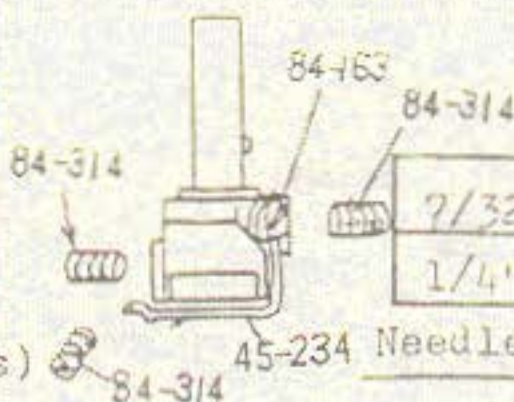
W802D (3/16" - 1/4")

W803-D (7/32" - 1/4")



3/16"	4.76	12-813
7/32"	5.56	12-814
1/4"	6.35	12-815

45-234 Needle holder (2 needles)



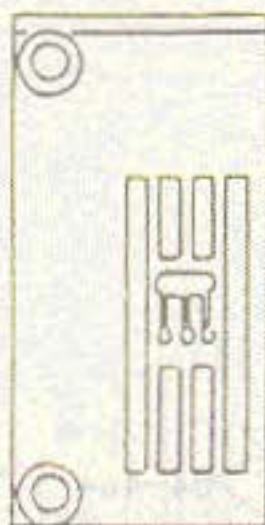
7/32"	5.56	12-801
1/4"	6.35	12-802

45-234 Needle holder (3 needles)



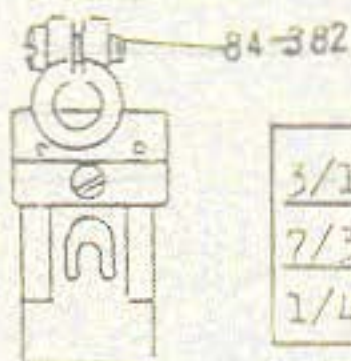
3/16"	4.76	14-744
7/32"	5.56	14-754
1/4"	6.35	14-764

Needle Plate (2 needles)



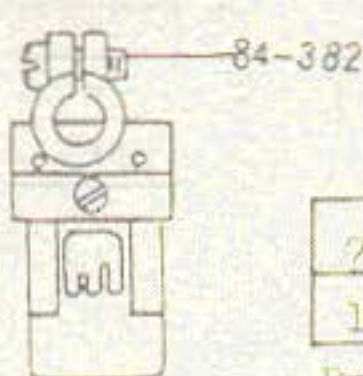
7/32"	5.56	14-854
1/4"	6.35	14-864

Needle plate (3 needles)



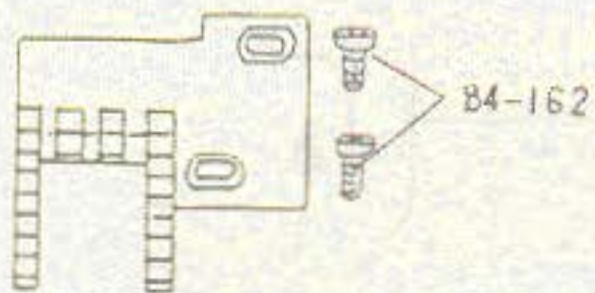
3/16"	4.76	17-844
7/32"	5.56	17-854
1/4"	6.35	17-864

Presser foot

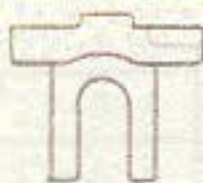


7/32"	5.56	17-884
1/4"	6.35	17-894

Presser foot (3 needles)



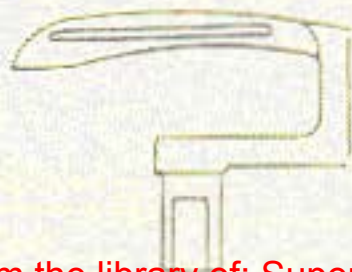
Feed dog (Rear)
15-753



Rear feed dog holder
51-118



Feed dog (front)
15-723



Looper

12-801

V702D (3/16" 1/4")

V703D (7/32" , 1/4")

3/16"	4.76	12-813
7/32"	5.56	12-814
1/4"	6.35	12-815

Needle holder (2 needles)

7/32"	5.56	12-801
1/4"	6.35	12-802

Needle holder (3 needles)

3/16"	4.76	14-744
7/32"	5.56	14-754
1/4"	6.35	14-764

Needle plate
(2 needles)

7/32"	5.56	14-854
1/4"	6.35	14-864

Needle plate
(3 needles)

3/16"	4.76	17-744
7/32"	5.56	17-754
1/4"	6.35	17-764

Presser foot
(2 needles)

7/32"	5.56	17-784
1/4"	6.35	17-794

Presser foot
(3 needles)

Feed dog (rear)

15-753

Rear feed dog holder

51-118

Feed dog (front)

15-723

Looper

19-801

W802-F (3/16, 7/32, 1/4)	V702-F (3/16, 7/32, 1/4")	W803-F (7/32, 1/4)	V703-F (7/32, 1/4")
-----------------------------	------------------------------	-----------------------	------------------------

3/16"	4.76	12-813
7/32"	5.56	12-814
1/4"	6.35	12-815

Needle holder(2 needles)

7/32"	5.56	12-801
1/4"	6.35	12-802

Needle holder(3 needles)

3/16	4.76	14-746
7/32	5.56	14-756
1/4	6.35	14-766

Needle plate
(2 needles)

7/32"	5.56	14-856
1/4"	6.35	14-866

Needle plate(3 needles)

3/16	4.76	17-846
7/32	5.56	17-856
1/4	6.35	17-866

Presser foot(2 needles)

7/32"	5.56	17-886
1/4"	6.35	17-896

Presser foot(3 needles)

Feed dog (Rear)
15-756

Rear feed dog
holder
51-117

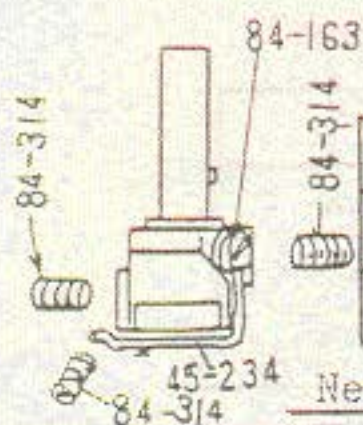
Feed dog (Front)
15-727

Looper
19-801

W802-F

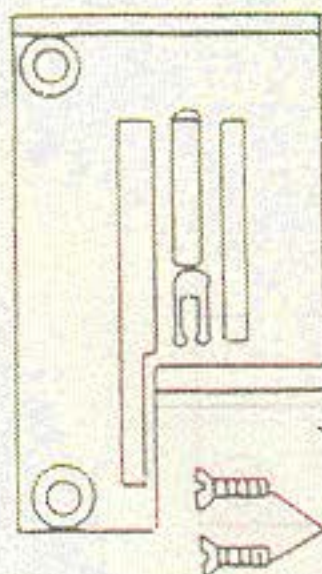
V702-F

(1/8" 5/32")



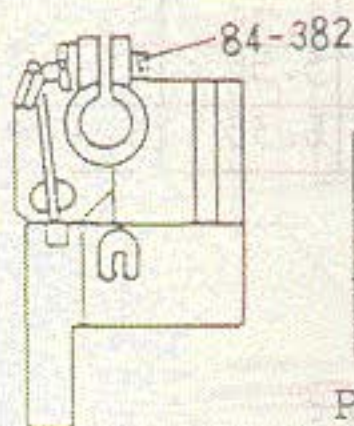
	m/m	Part No
1/8"	3.17	12-811
5/32	3.97	12-812

Needle holder(2 Needle)



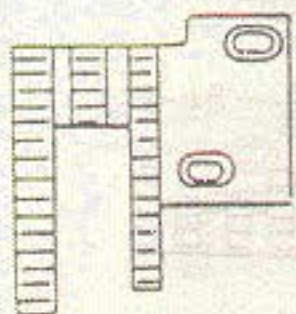
	m/m	Part No.
1/8"	3.17	14-726
5/32	3.97	14-736

Needle plate (2 needle)



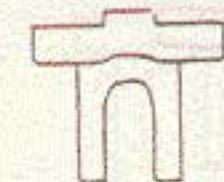
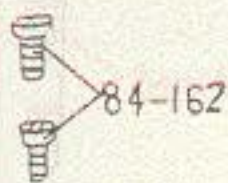
	m/m	Part No.
1/8"	3.17	17-826
5/32	3.97	17-836

Presser foot (2 needle)



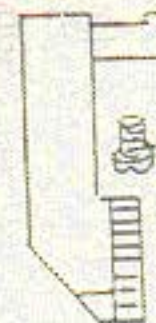
Feed dog (Rear)

15-758



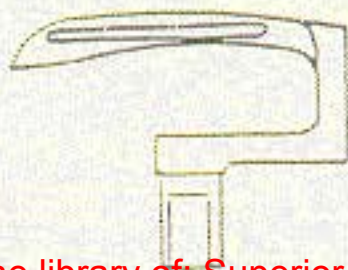
Rear feed dog holder

51-117



Feed dog(front)

15-729

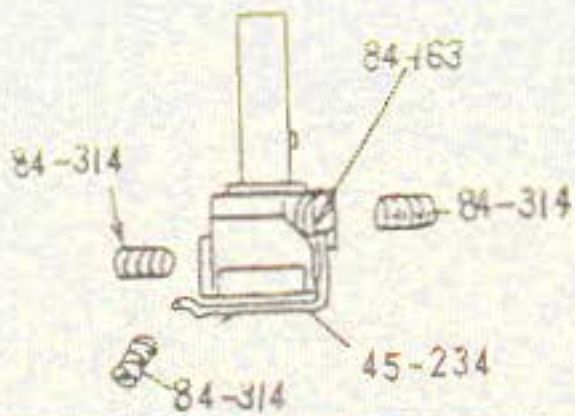


Looper

19-801

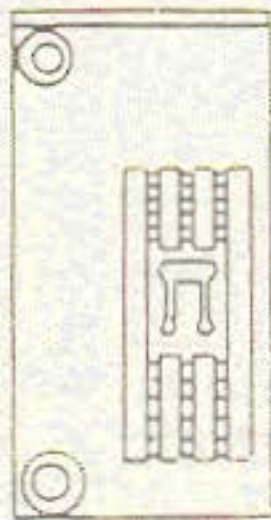
W802-DE (3/16" - 1/4")

V702-DE (3/16" - 1/4")



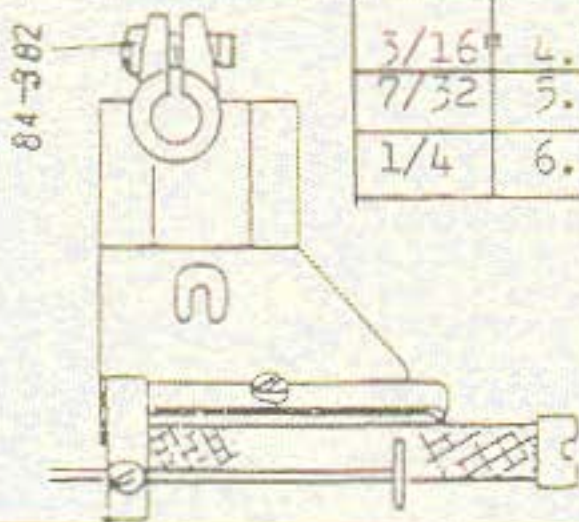
3/16"	4.76	12-813
7/32"	5.56	12-814
1/4"	6.35	12-815

Needle Holder (2 needles)

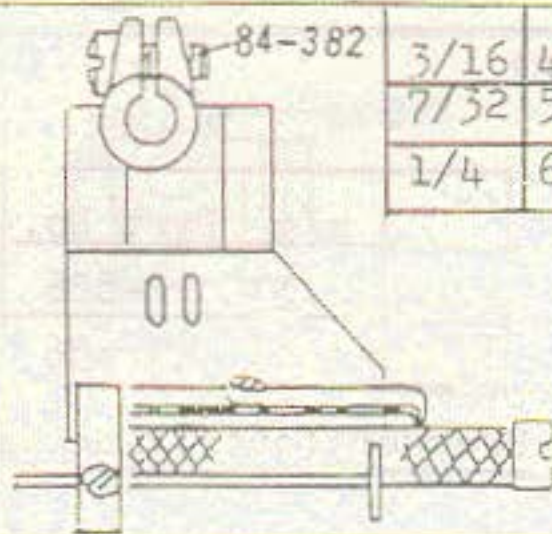


3/16"	4.76	14-745
7/32"	5.56	14-755
1/4"	6.35	14-765

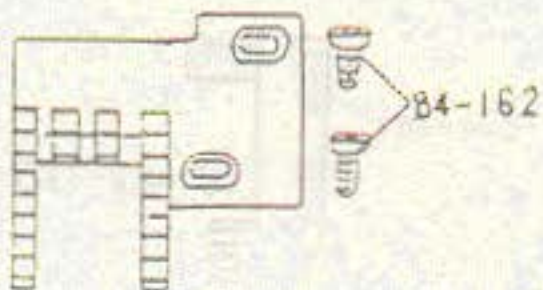
Needle plate (2 needles)



3/16"	4.76	17-845
7/32"	5.56	17-855
1/4"	6.35	17-865

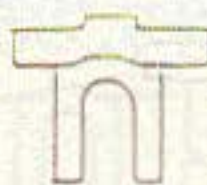


3/16"	4.76	17-745
7/32"	5.56	17-755
1/4"	6.35	17-765



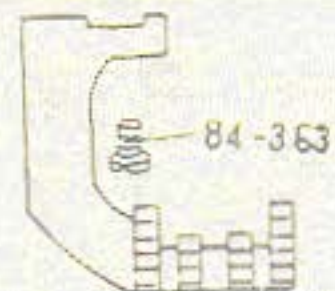
Feed dog (Rear)

15-753



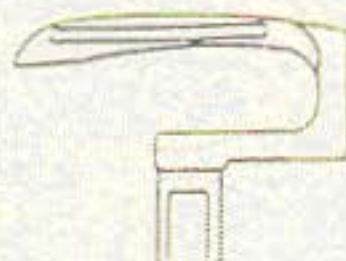
Rear feed dog holder

51-118



Feed dog (Front)

15-723

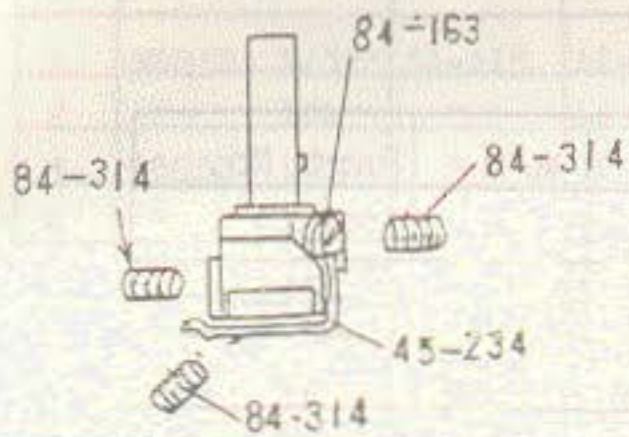


Looper

19-801

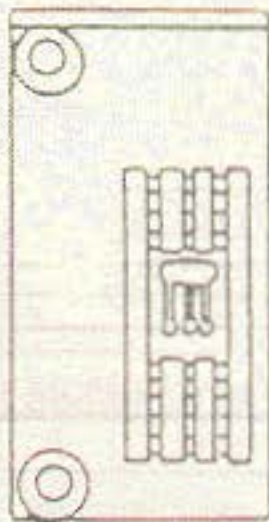
W803DE (7/32", 1/4")

V703-DE (7/32", 1/4")



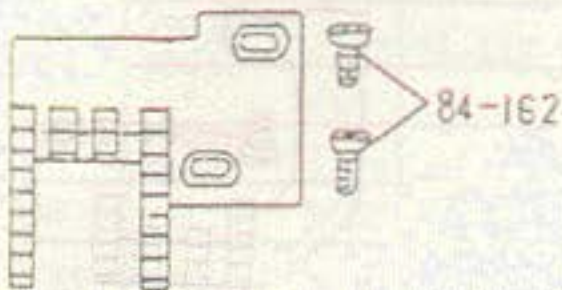
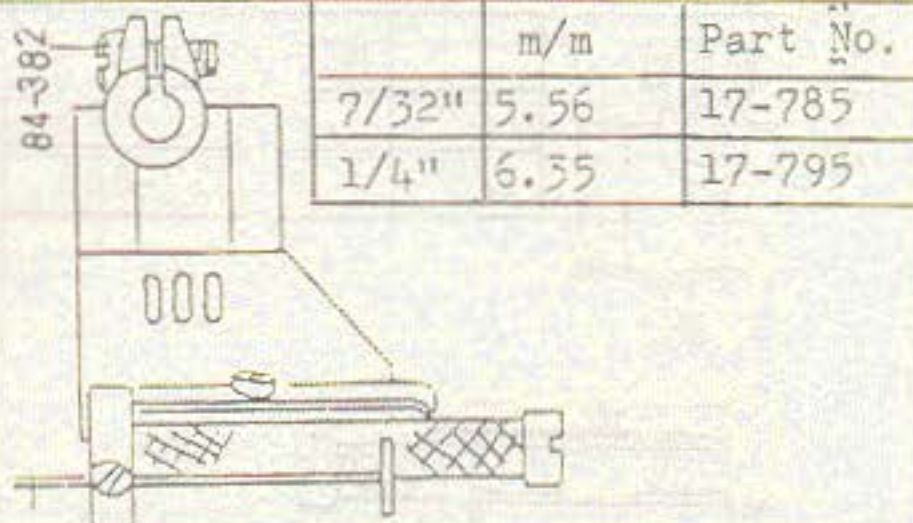
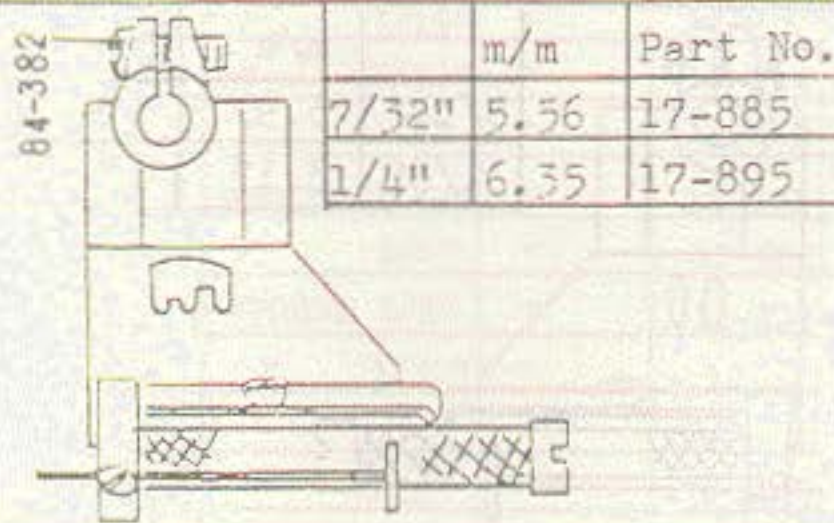
	m/m	Part No.
7/32"	5.56	12-801
1/4"	6.35	12-802

Needle holder (3 needles)

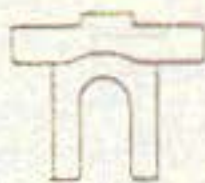


	m/m	Part No.
7/32"	5.56	14-855
1/4"	6.35	14-865

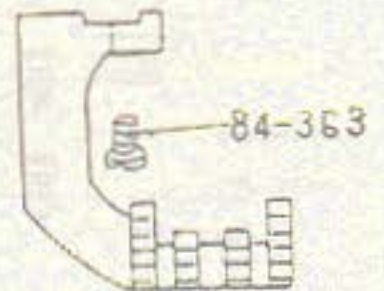
Needle plate (3 needles)



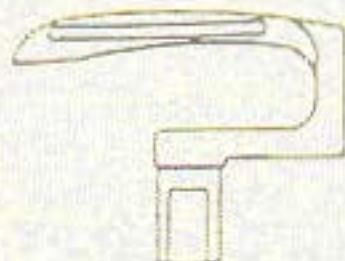
Feed dog (Rear)
15-753



Rear feed dog holder
51-118



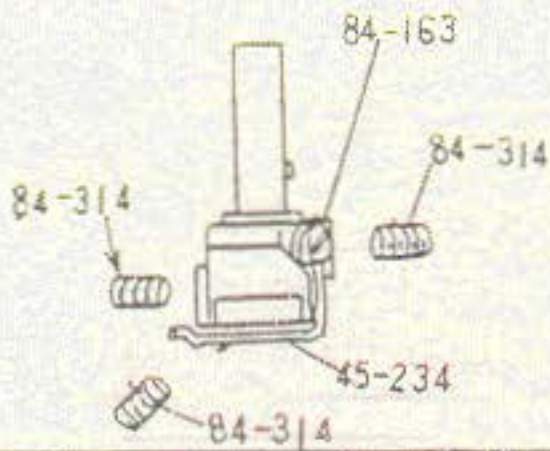
Feed dog (Front)
15-723



Looper
19-801

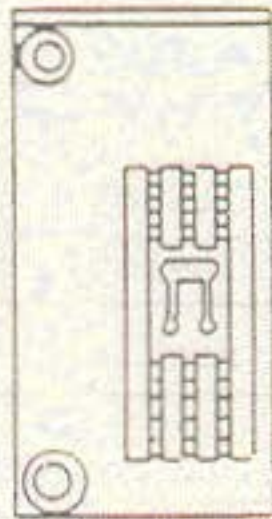
W802-DE (1/8", 5/32")

V702-DE (1/8", 5/32")



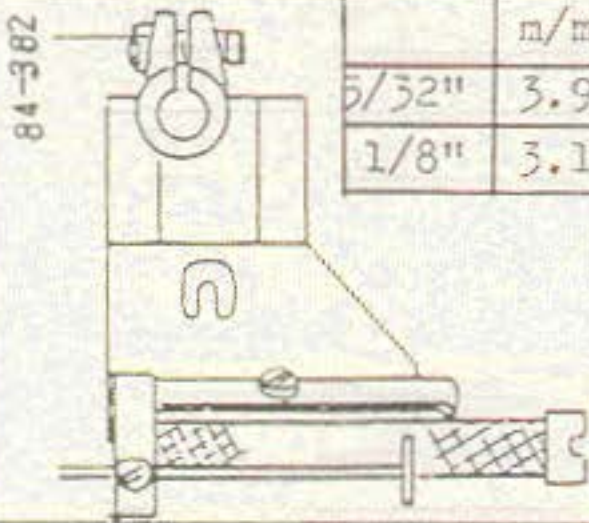
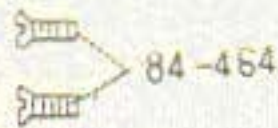
	m/m	Part No.
5/32"	3.97	12-812
1/8"	3.17	12-811

Needle holder (2 needles)

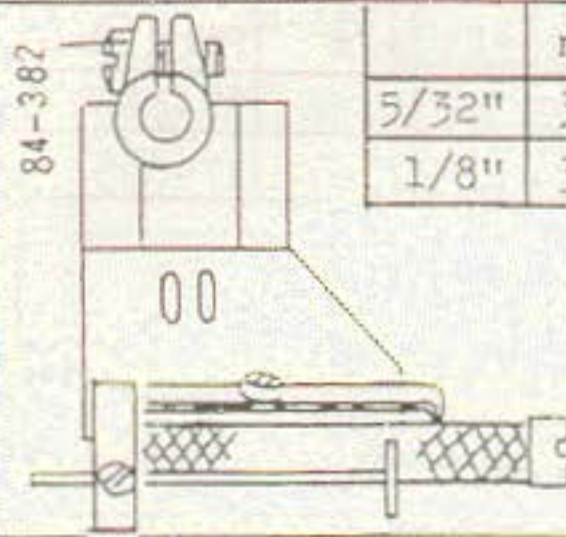


	m/m	Part No.
5/32"	3.97	14-735
1/8"	3.17	14-725

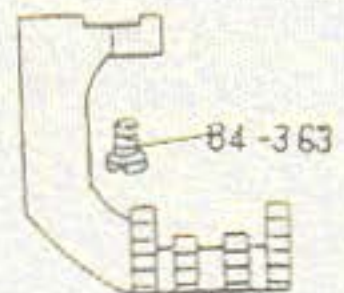
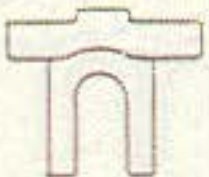
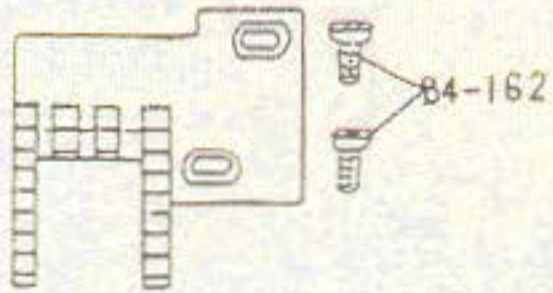
Needle plate (2 needles)



	m/m	Part No.
5/32"	3.97	17-835
1/8"	3.17	17-825



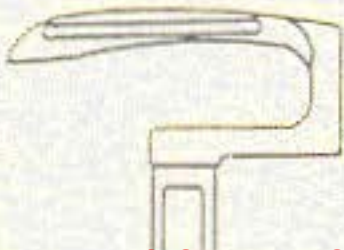
	m/m	Part No.
5/32"	3.97	17-735
1/8"	3.17	17-725



Feed dog(R.)
15-755

Rear feed dog
Holder
51-118

Feed dog(Front)
15-724



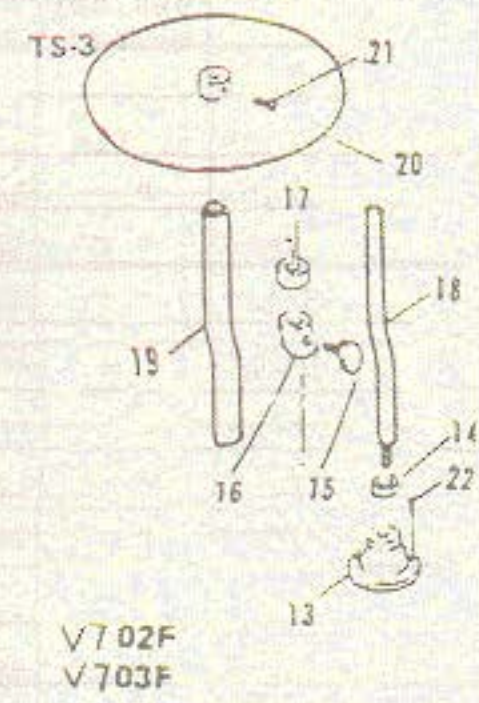
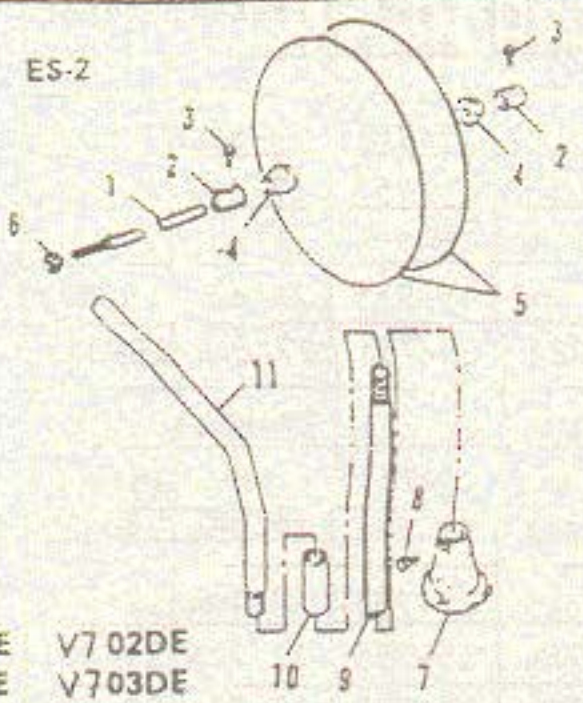
Looper
19-801

GAUGE LIST

(10)

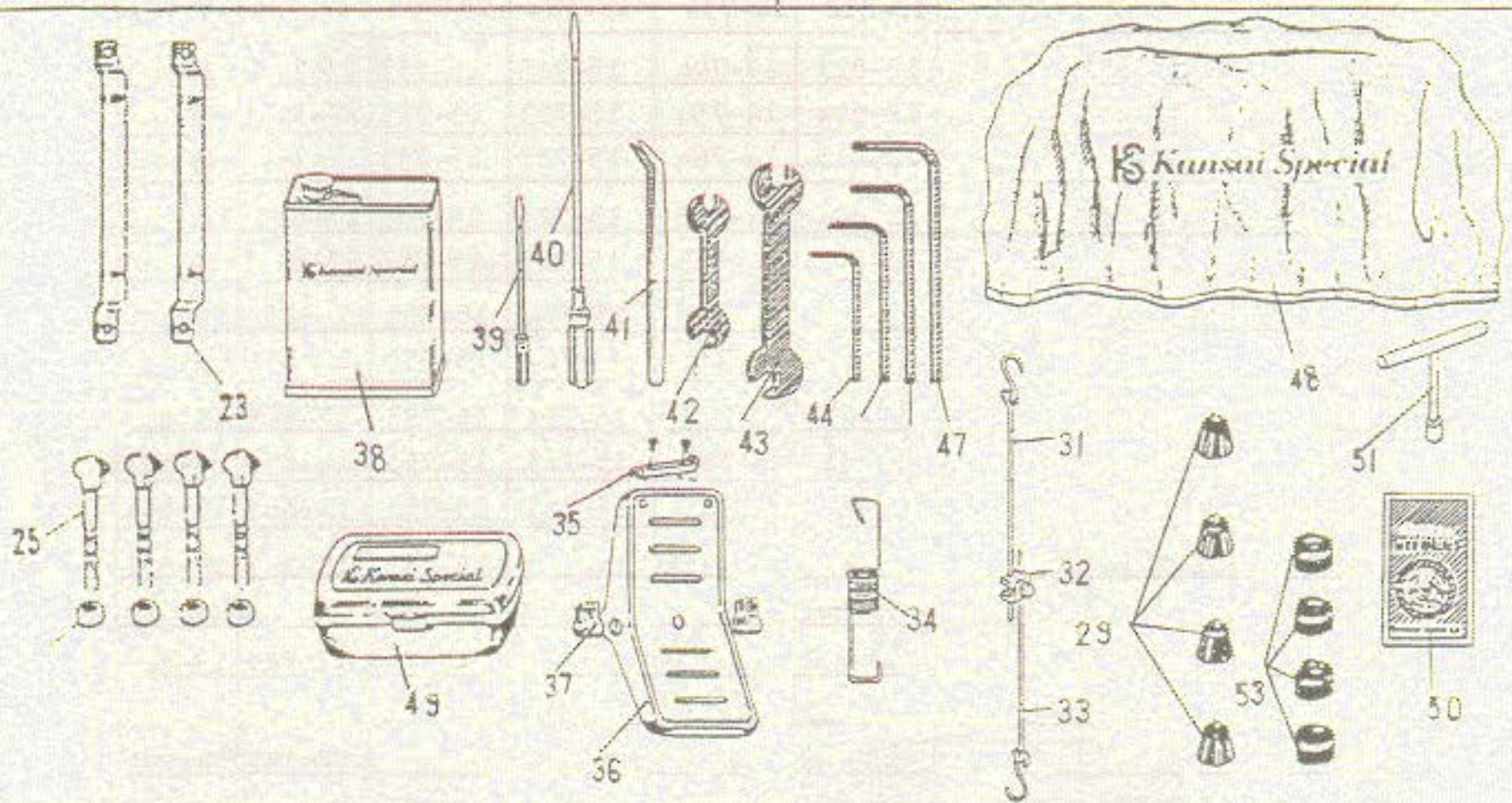
NO.	Model	Feed dog Holder	Needle Holder	Needle Plate	Feed dog (Front)	Feed dog. R	Presser Foot	Looper
1	W803D 7/32"	51-118	12-801	14-854	15-723	15-753	17-884	19-80
2	" 1/4"	"	12-802	14-864	15-723	15-753	17-894	19-80
3	W802D 1/8"	"	12-811	14-724	15-724	15-755	17-824	19-801
4	" 5/32"	"	12-812	14-734	15-724	15-755	17-834	19-801
5	" 3/16"	"	12-813	14-744	15-723	15-753	17-844	19-801
6	" 7/32"	"	12-814	14-754	15-723	15-753	17-854	19-801
7	" 1/4"	"	12-815	14-764	15-723	15-753	17-864	19-801
8	V703D 7/32"	"	12-801	14-854	15-723	15-753	17-784	19-801
9	" 1/4"	"	12-802	14-864	15-723	15-753	17-794	19-801
10	V702D 1/8"	"	12-811	14-724	15-724	15-755	17-724	19-801
11	" 5/32"	"	12-812	14-734	15-724	15-755	17-734	19-801
12	" 3/16"	"	12-813	14-744	15-723	15-753	17-744	19-801
13	" 7/32"	"	12-814	14-754	15-723	15-753	17-754	19-801
14	" 1/4"	"	12-815	14-764	15-723	15-753	17-764	19-801
15	W803DE 7/32"	"	12-801	14-855	15-723	15-753	17-885	19-801
16	" 1/4"	"	12-802	14-865	15-723	15-753	17-895	19-801
17	W802DE 1/8"	"	12-811	14-725	15-724	15-755	17-825	19-801
18	" 5/32"	"	12-812	14-735	15-724	15-755	17-835	19-801
19	" 3/16"	"	12-813	14-745	15-723	15-753	17-845	19-801
20	" 7/32"	"	12-814	14-755	15-723	15-753	17-855	19-801
21	" 1/4"	"	12-815	14-765	15-723	15-753	17-865	19-801
22	V703DE 7/32"	"	12-801	14-855	15-723	15-753	17-785	19-801
23	" 1/4"	"	12-802	14-865	15-723	15-753	17-795	19-801
24	V702DE 1/8"	"	12-811	14-725	15-724	15-755	17-725	19-801
25	" 5/32"	"	12-812	14-735	15-724	15-755	17-735	19-801
26	" 3/16"	"	12-813	14-745	15-723	15-753	17-745	19-801
27	" 7/32"	"	12-814	14-755	15-723	15-753	17-755	19-801
28	" 1/4"	"	12-815	14-765	15-723	15-753	17-765	19-801
29	V703F W803F 7/32"	51-117	12-801	14-856	15-727	15-756	17-886	19-801
30	" 1/4"	"	12-802	14-866	15-727	15-756	17-896	19-801
31	V702F W802F 1/8"	"	12-811	14-726	15-729	15-758	17-826	19-801
32	" 5/32"	"	12-812	14-736	15-729	15-758	17-836	19-801
33	" 3/16"	"	12-813	14-746	15-727	15-756	17-846	19-801
34	" 7/32"	"	12-814	14-756	15-727	15-756	17-856	19-801
35	" 1/4"	"	12-815	14-766	15-727	15-756	17-866	19-801
36	V703EMK W803EMK 7/32"	"	12-801	14-858	15-728	15-828	17-888	19-801
37	" 1/4"	"	12-802	14-868	15-728	15-828	17-898	19-801
38	V702EMK W802EMK 1/8"	"	12-811	14-728	15-728	15-828	17-828	19-801
39	" 5/32"	"	12-812	14-738	15-728	15-828	17-838	19-801
40	" 3/16"	"	12-813	14-748	15-728	15-828	17-848	19-801
41	" 7/32"	"	12-814	14-758	15-728	15-828	17-858	19-801
42	" 1/4"	"	12-815	14-768	15-728	15-828	17-868	19-801

17. Tape stands•accessories (テープ立て・アクセサリー)



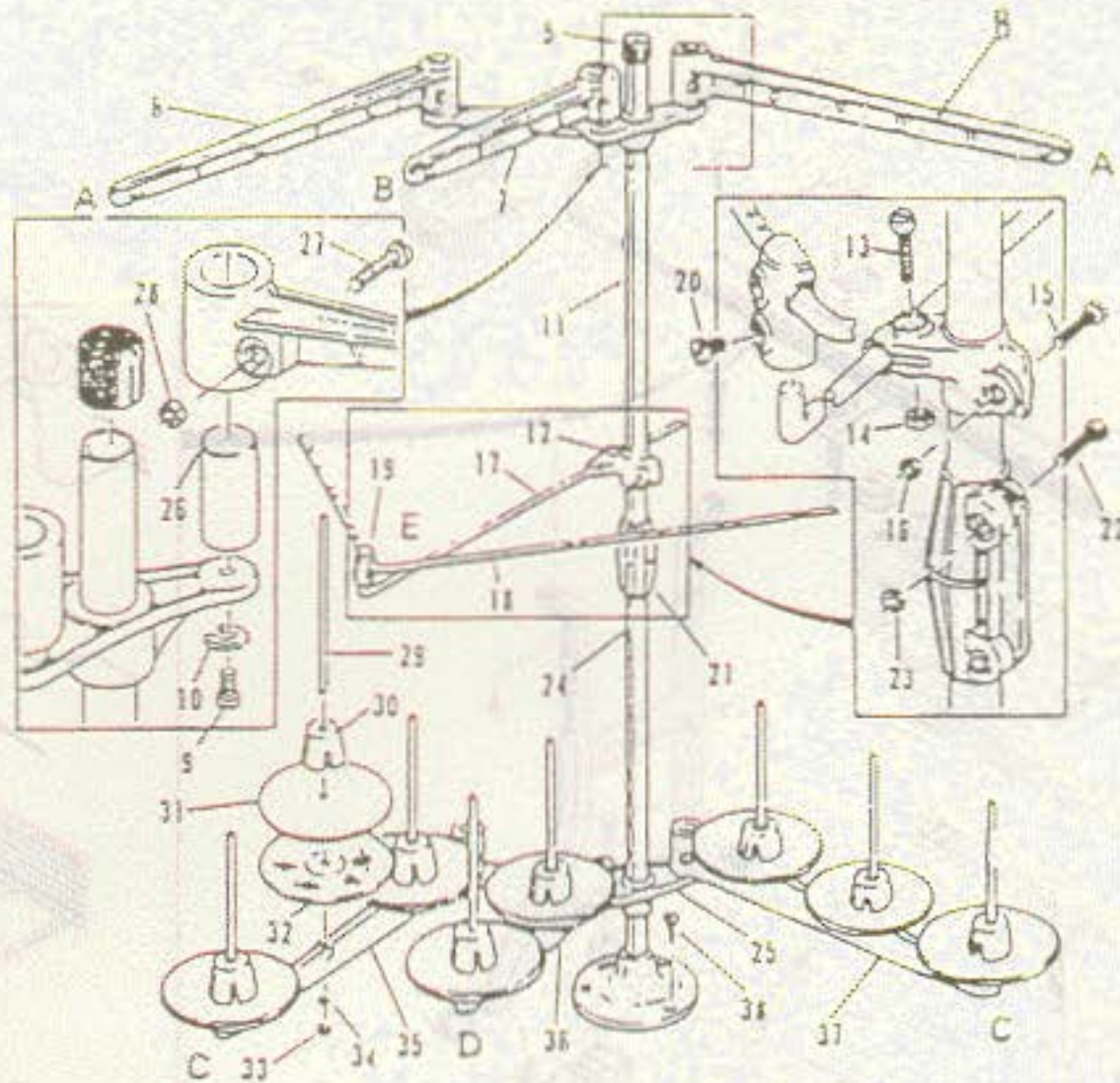
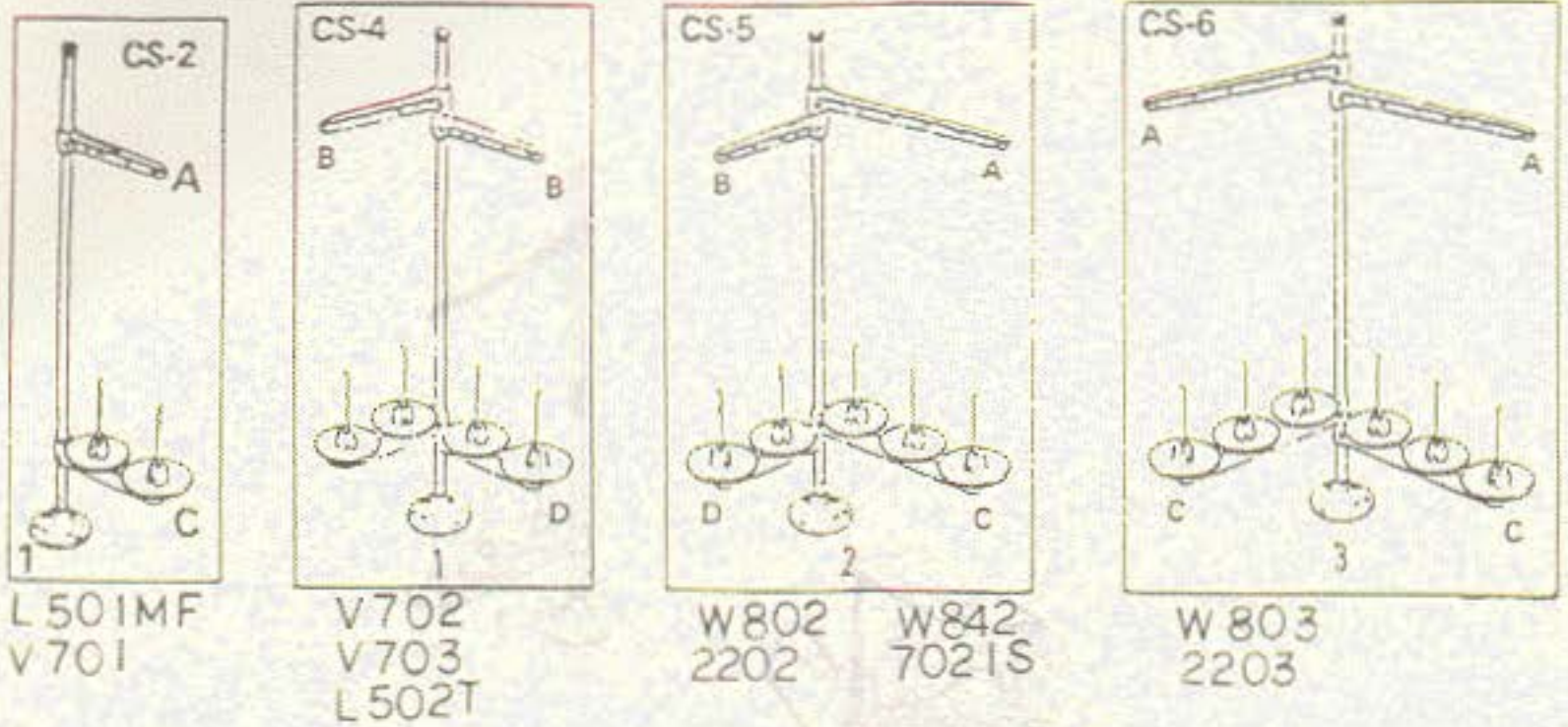
W802DE V702DE
W803DE V703DE

W802F V702F
W803F V703F



Ref. No.	Part No.	Part Name	Qty	Ref. No.	Part No.	Part Name	Qty
1	26-866	Tape reel post	1	27			
2	26-869	Stop collar	2	28	88-176	Nut	4
3	87-156	Hex. bolt	2	29	31-161	Cushion rubber	4
4	26-868	Collar	2	30			
5	26-867	Tape reel disc	2	31	77-006	Tie-rod (upper)	1
6	88-176	Nut	2	32	77-005	Joint (with screw)	1
7	26-876	Base	1	33	77-007	Tie-rod (lower)	1
8	87-161	Hex. bolt	2	34	77-003	Spring	1
9	26-877	Post A	2	35	77-004	Coupling	1
10	26-879	Connecting pipe	1	36	77-001	Pedal	1
11	26-878	Post B	1	37	77-002	Pedal stopper	2
12				38	28-611	Oil TELLESSO 33	1
13	26-856	Base	1	39	28-451	Screwdriver (small)	1
14	88-156	Nut	1	40	28-452	Screwdriver (large)	1
15	87-149	Screw	1	41	28-011	Tweezers	1
16	26-860	Stop collar	1	42	28-421	Spanner (small)	1
17	26-861	Cushion	1	43	28-422	Spanner (large)	1
18	26-857	Post B	1	44	28-311	Wrench A	1
19	26-859	Guide pipe	1	45	28-312	Wrench B	1
20	26-858	φ 200 tape reel disc	1	46	28-313	Wrench C	1
21	87-150	Screw	1	47	28-314	Wrench D	1
22		Wood screw	3	48	28-021	Machine cover	1
23	25-141	Machine mount bracket	2	49	28-001	Accessory box	1
24				50	13	Needle DV43 62x43 SY3516	1
25	80-751	Screw	4			SMx1014A (11804D)	1
26				51	28-464	Wrench T	1

18 Thread stands (糸立て)



Ref. No.	Part No.	Part Name	Qty	Ref. No.	Part No.	Part Name	Qty
1	42-004	Thread stand (4) CS-4	1 set	21		Joint	1
2	42-005	Thread stand (5) CS-5	1 set	22		Screw	2
3	42-00E	Thread stand (6) CS-6	1 set	23		Nut	2
4				24	42-112	Bar lower	1
5	42-120	Cap	1	25		Base	2
6	42-116	Thread guide bracket (3)		26		Mounting bracket	6
7		Thread guide bracket (2)		27		Screw	
8		Thread guide bracket (3)		28		Nut	
9		Screw	6	29		Spool pin	
10		Washer	6	30		Spool pin retaining fin	
11	42-113	Bar upper	1	31	42-119	Spool mat	
12		Shank	1	32	42-123	Spool tray	
13		Screw	1	33		Nut	
14		Nut	1	34		Washer	
15		Screw	1	35	42-115	Spool pin bracket (3)	
16		Nut	1	36		Spool pin bracket (2)	
17		Thread eyelet guide arm bar	1	37	42-115	Spool pin bracket (3)	
18		Thread eyelet guide	1	38	42-122	Screw	3
19		Joint	1	39			
20		Screw	2	40			

19. Table stand assembly diagram (テーブルスタンド据付図)

